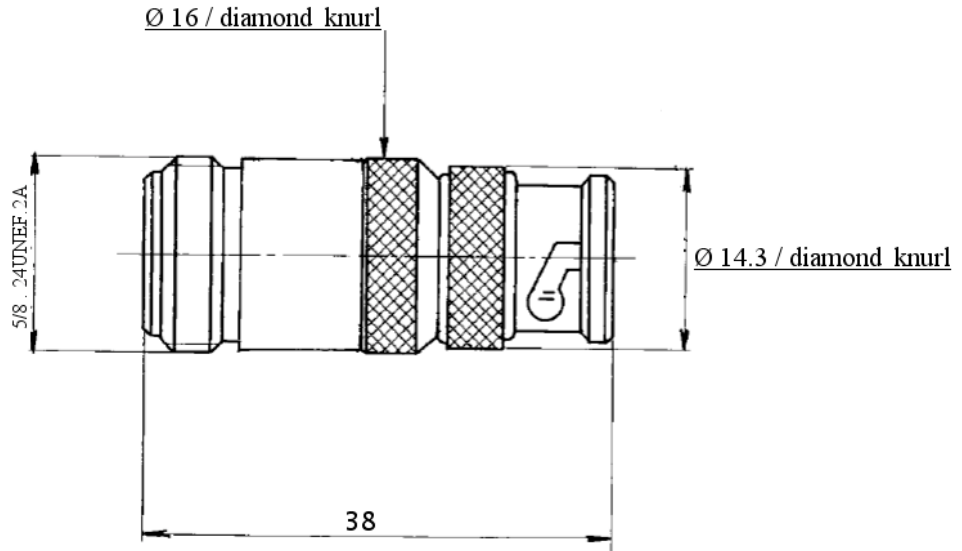


BNC MALE - N FEMALE STRAIGHT ADAPTER

R192.419.000

Série : ADAPT 75



All dimensions are in mm.



| COMPONENTS | MATERIALS | PLATINGS (µm) |
|----------------|-----------|------------------------|
| BODY | BRASS | NICKEL 2 |
| CENTER CONTACT | BRASS | GOLD 0.5 OVER NICKEL 2 |
| OUTER CONTACT | BRASS | NICKEL 2 |
| INSULATOR | PTFE | |
| GASKET | - | |
| OTHERS PARTS | - | |
| - | - | |
| - | - | |

Issue : 0417 D

In the effort to improve our products, we reserve the rights to make changes judged to be necessary.



BNC MALE - N FEMALE STRAIGHT ADAPTER

R192.419.000

Série : ADAPT 75

PACKAGING

SPECIFICATION

| Standard | Unit | Other |
|----------|------|-------------------|
| 1 | - | Contact us |

ELECTRICAL CHARACTERISTICS

ENVIRONMENTAL

| | | |
|---------------------------------|-----|----------------------------|
| Impedance | | 75 Ω |
| Frequency | | 0-1 GHz |
| VSWR | - + | 0.000 x F(GHz) Maxi |
| Insertion loss | | - √F(GHz) dB Maxi |
| RF leakage | - (| - F(GHz) dB Maxi |
| Voltage rating | | - Veff Maxi |
| Dielectric withstanding voltage | | 1500 Veff mini |
| Insulation resistance | | 5000 MΩ mini |

| | | |
|---------------|--|--------------------|
| Operating | | -55/+155 °C |
| Hermetic seal | | - Atm.cm3/s |
| Panel leakage | | - |

MECHANICAL CHARACTERISTICS

OTHERS CHARACTERISTICS

| | | |
|----------------------------|------------|------------------------|
| Center contact retention | | |
| Axial force – Mating end | | 27 N mini |
| Axial force – Opposite end | | 27 N mini |
| Torque | | - N.cm mini |
| Recommended torque | | |
| Mating | BNC | 0 N.cm |
| | N | 0 N.cm |
| | - | 0 N.cm |
| Panel nut | | - N.cm |
| Mating life | | 500 Cycles mini |
| Weight | | 31.000 g |

Issue : 0417 D

In the effort to improve our products, we reserve the rights to make changes judged to be necessary.



RADIALL®