

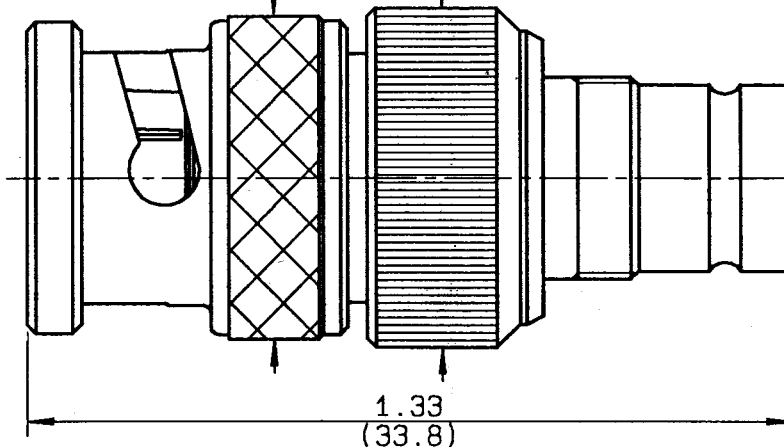
ADAPTOR BNC MALE - DIN 1.6-5.6
FEMALE

Series : ADAPT

1 / 1

.563 DIA on diamond knurl
ø14.3 sur moletage croise

.591 DIA on straight knurl
ø15 sur moletage droit



CABLES : -

CHARACTERISTICS

NOMINAL IMPEDANCE	75 Ω
FREQUENCY RANGE	0-1 GHz
TEMPERATURE RATING	-40/+155 °C
VSWR	1.15 + 0.1 x F(GHz)Max1
R.F. INSERTION LOSS	-0.1 dB Maxi
VOLTAGE RATING	- Vrms Max
DIELECTRIC WITHSTANDING VOLTAGE	1000 Vrms min
INSULATION RESISTANCE	5000 MΩ min
HERMETIC SEAL	- cc/s - Atm.cm3/s
LEAKAGE (pressurized only)	- psi - MPa
WEIGHT	0 Oz - g

STANDARDISATION

CABLE RETENTION	0	lb min
	-	N
CENTER CONTACT RETENTION		
Axial force - mating	6.06	lb min
	27	N
Axial force - opposite end	6.06	lb min
	27	N
Torque (Min)	0	Inch.oz
	-	cm.N
RECOMMENDED TORQUES		
Mating	0	inch.lb
	-	cm.N
Panel nut	0	inch.lb
	-	cm.N
Clamp nut	0	inch.lb
	-	cm.N

CONSTRUCTION

CONNECTOR PARTS	MATERIALS	FINISH
BODY	BRASS	NICKEL
OUTER CONTACT	BRASS	NICKEL
CENTER CONTACT	BERYLLIUM COPPER	GOLD
INSULATOR	PTFE	-
-	-	-
-	-	-
-	-	-
-	-	-
-	-	-

ISSUE	REVISION No	DESCRIPTION	BY	DATE
-	-	-	-	-
-	-	-	-	-
9524	-	Added the VSWR value.	FANJAT	12-13-95

Initiated on 03/12/81
Approval by GUERIN

The information given here is subject to change without notice. Design changes may be in order to improve the product.



TRIGUES