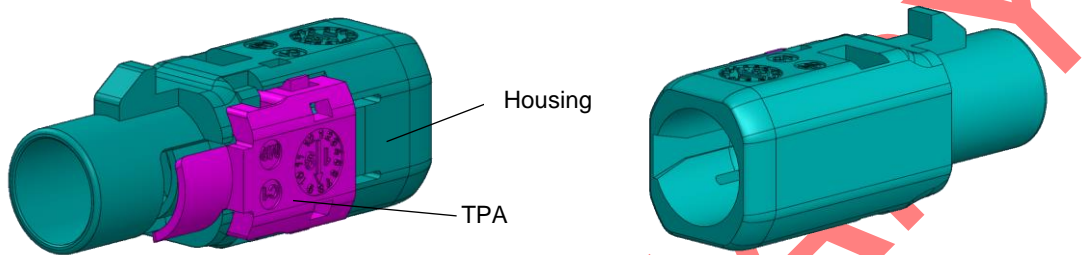
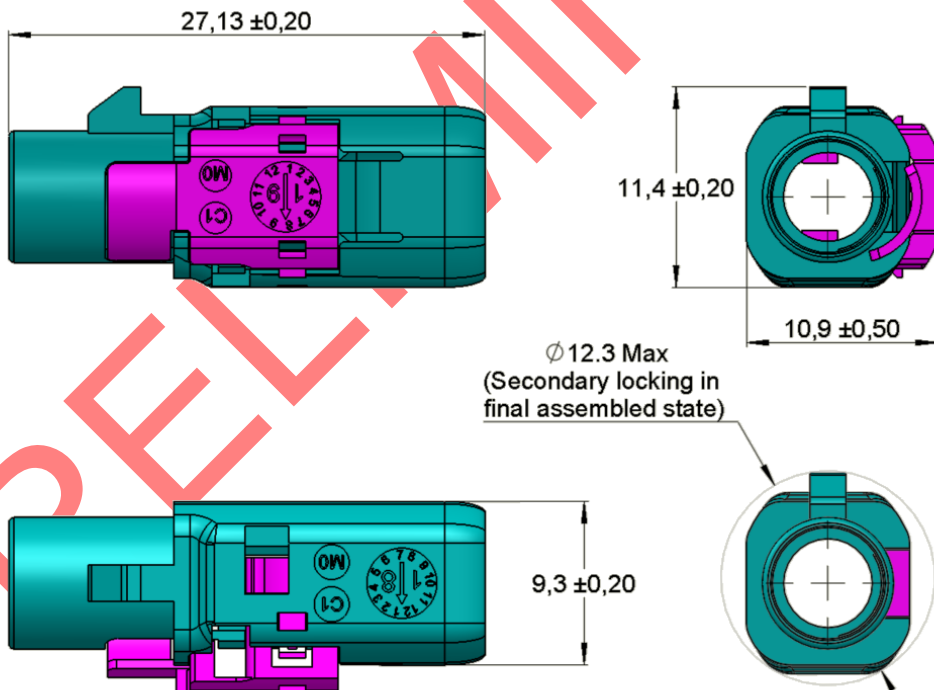


Rev	Date	Edited	Approved	Validated	Modification
1	08/11/2018	R.Duprez	M.Dupont	M.Vitasse	Creation
2	05/12/2018	R.Duprez	M.Dupont	M.Vitasse	Update reference
3	19/07/2019	R.Duprez	M.Dupont	M.Vitasse	Modification of TPA
4	25/09/2020	C.Mourin			Update packaging information



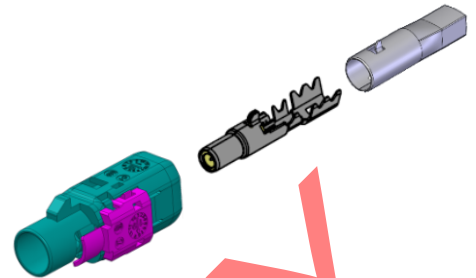
All dimensions are in mm



COMPONENTS	MATERIALS	UL CLASSIFICATION	COLOR
Housing and TPA	Polyamide	UL 94 HB	See page 2

Interface

According to ISO 20860-1 and USCAR 18 Rev 4
 Clip holder EWCAP-005-07 according to EWCAP_005_REVC



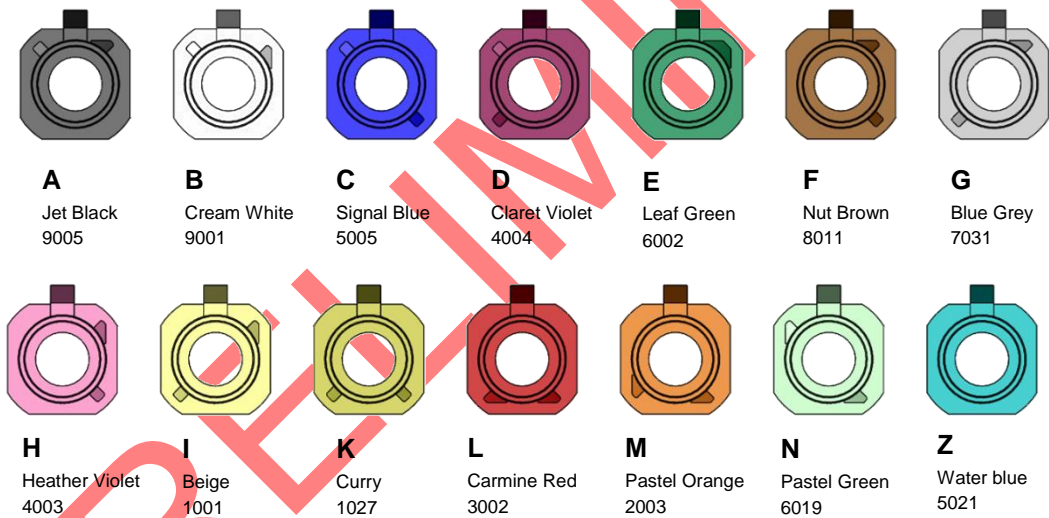
Application

This housing is designed to meet with USCAR-17 rev5. It is part of an assembly to create a complete R3C connector. It has to be assembled with a terminal and associated shielding ferrule.

Refer to **AI_R3C_TPA_CPA** to get the corresponding P/N.

Codings

To obtain the complete part number, please fill in the blank “_” with the coding letter.
 Consult Raydiall representative for coding availability



Net weight: 1.2 g

Storage condition & Shelf Life

Boxes should be stored indoors, in its original packaging (box + plastic bag), in a controlled climate environment not exceeding -20°C/+40°C and maximum 70% relative humidity. The boxes should be protected from direct sunlight and should be used on a "first-in, first-out" basis.

It is recommended to use this reference within 1 year from the date of manufacture when stored according to the recommended storage condition.