

Fakra PCB - 90° Male

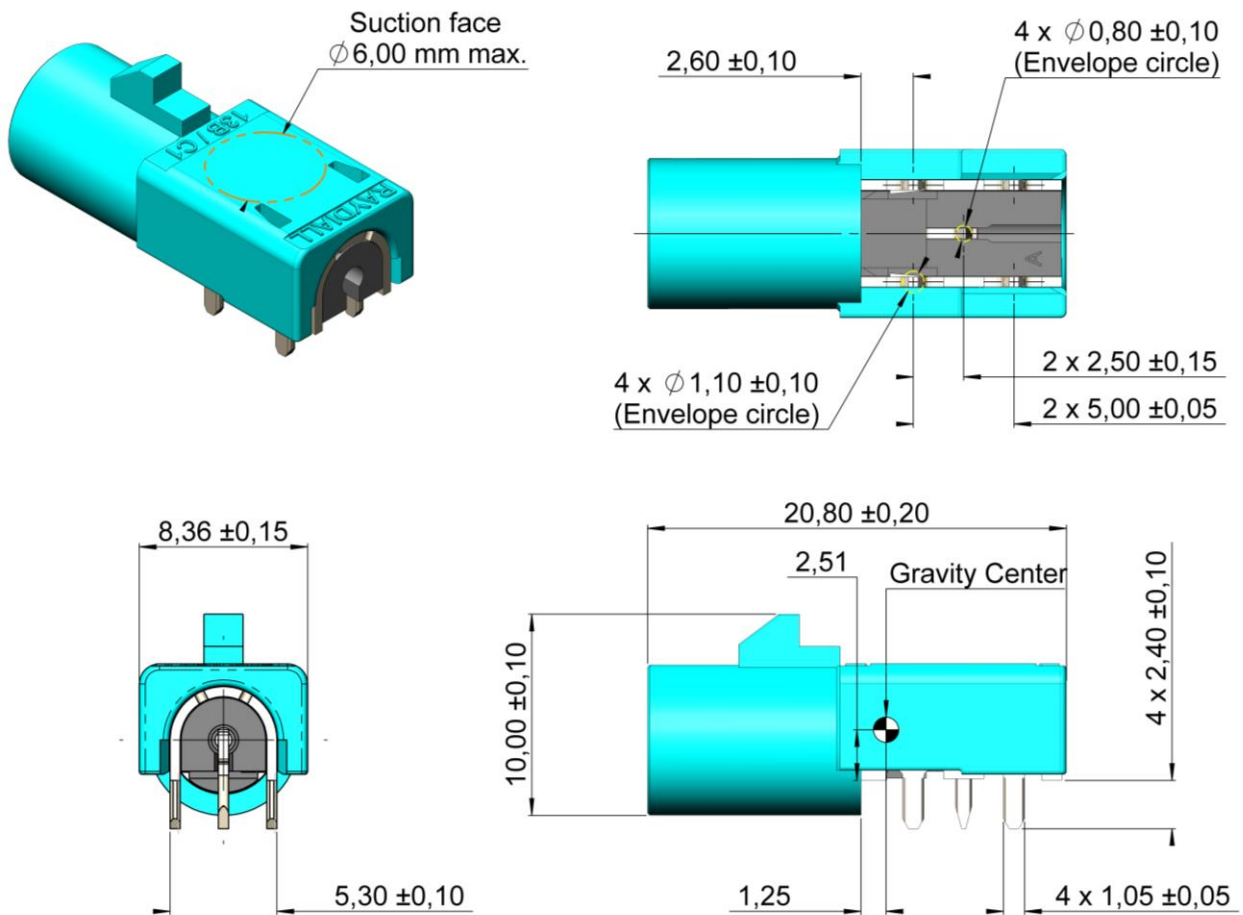
Process: Reflow



R197.166._28

TECHNICAL DATA SHEET

Rev	Date	Edited	Approved	Validated	Modification
1	06/09/2018	T. Mbuyi	Y.Gay	R.Chantre	Creation



All dimensions are in mm

Components	Materials	Plating
Body	Brass	Matt Tin 3 over Nickel 2
Center contact	Brass	Selective gold 0.15 over Nickel 2
Insulator	Polyamid GF30	Natural color
Housing	High temperature polymer GF30	See Codings

Fakra PCB - 90° Male

Process: Reflow



R197.166._28

TECHNICAL DATA SHEET

Interface

According to **ISO 20860-1**

Application

This terminal has been qualified according USCAR-17 Rev.4 (March 2013) and USCAR-2 Rev.5 (November 2007).

Electrical characteristics

Impedance	50 Ω
Frequency	0-3 GHz
VSWR	≤ 1.4 (45MHz to 2GHz) ≤ 1.5 (2GHz to 3GHz)
Voltage rating	335 Veff Maxi
Dielectric withstanding Voltage	1000 Veff maxi
Insulation resistance	1000 M Ω

Mechanical characteristics

Center contact retention, axial force, mating end	≥ 10 N
Center contact retention, axial force, opposite end	≥ 10 N
Housing retention	≥ 110 N
Mating cycles	≥ 25

Environmental

Operating temperature	-40 / +105°C
RoHS compliant	

Component weight 1,79 g

Codings

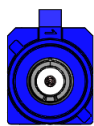
To obtain the complete part number, please fill in the blank “_” with the coding letter



A
Black
9005



B
Crème White
9001



C
Blue
5005



D
Bordeaux
4004



E
Green
6002



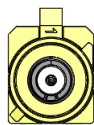
F
Brown
8011



G
Grey
7031



H
Violet
4003



I
Beige
1001



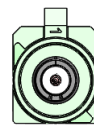
K
Curry
1027



L
Carmin
3002



M
Pastel Orange
2003



N
Pastel Green
6019



Z
Water blue
5021

