

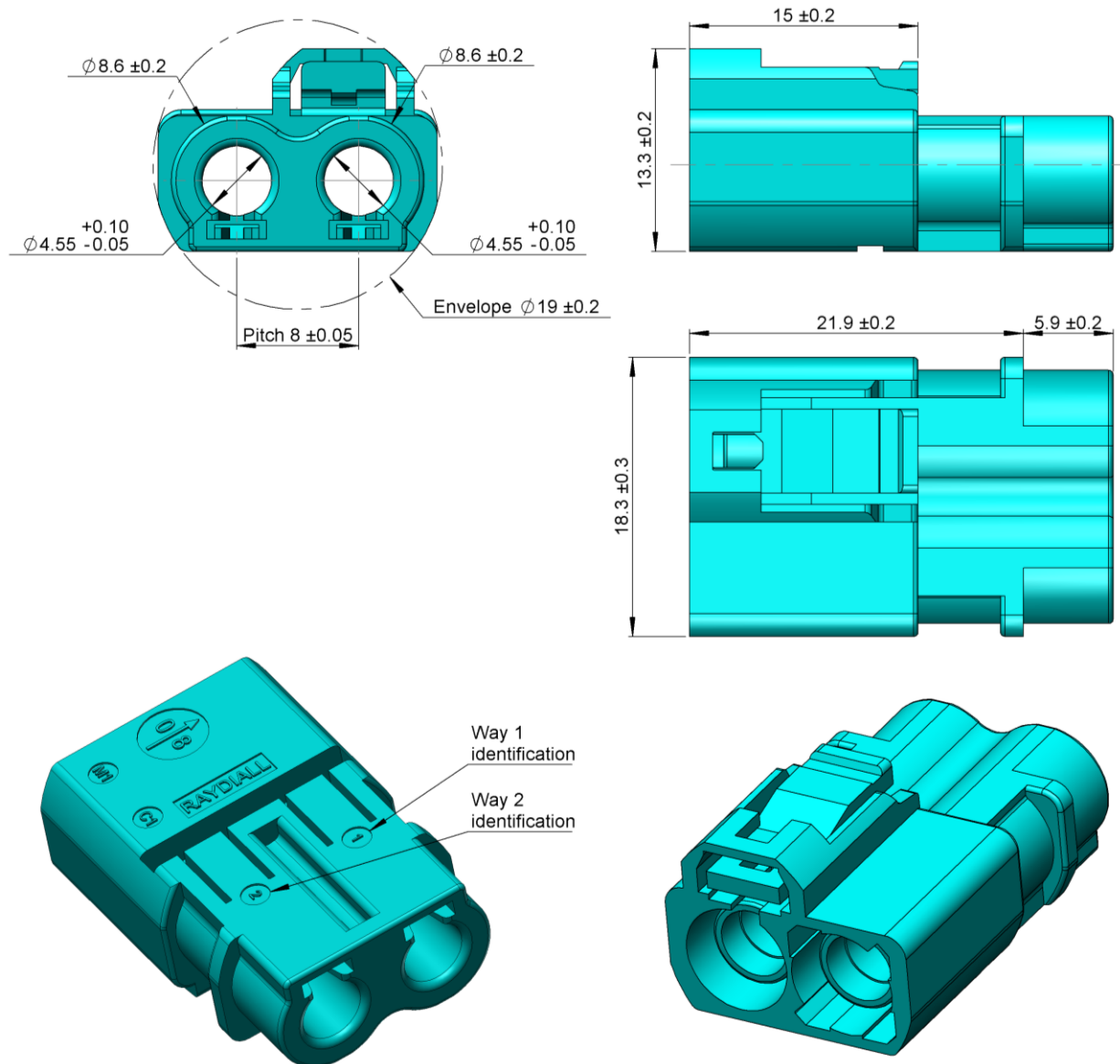
Fakra R3C – Straight Duplex Female housing  
Cable type **RG174** (2.6/50) & **RTK** (3.2/50)



R197.215.\_80

TECHNICAL DATA SHEET

Rev	Date	Edited	Approved	Validated	Modification
1	25/06/2018	C.Chavanne	Y.Gay	R.Chantre	Creation



All dimensions are in mm

COMPONENTS	MATERIALS	UL CLASSIFICATION	COLOR
Housing	Polyamide	UL 94 V-2	See page 2

Fakra R3C – Straight Duplex Female housing  
Cable type **RG174** (2.6/50) & **RTK** (3.2/50)



R197.215.\_80

TECHNICAL DATA SHEET

**Interface**

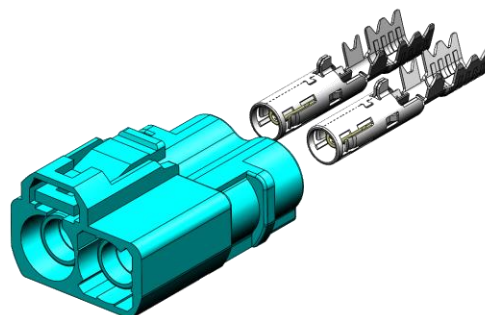
According to

**ISO 20860-1**

**Application**

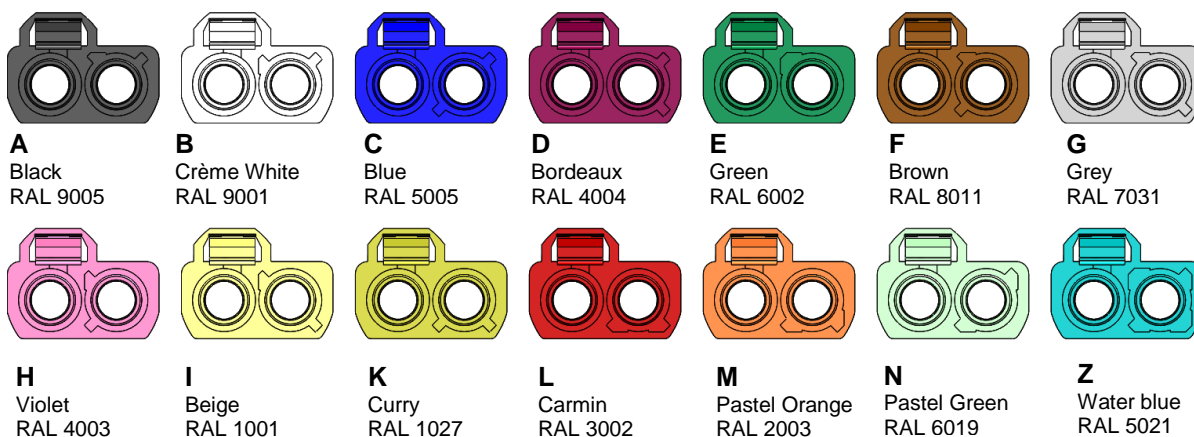
This housing is part of an assembly to create a complete R3C connector. It has to be assembled with two terminals.

Refer to **Assembly Instructions AI\_R3C** to get the corresponding P/N.



**Codings**

To obtain the complete part number, please fill in the blank “\_” with the coding letter.



**Net Weight:** 3.06 g

**Storage condition & Shelf Life**

Boxes should be stored indoors, in its original packaging (box + plastic bag), in a controlled climate environment not exceeding -20°C/+40°C and maximum 70% relative humidity. The boxes should be protected from direct sunlight and should be used on a "first-in, first-out" basis.

It is recommended to use this reference within 1 year from the date of manufacture when stored according to the recommended storage condition.

**Product Handling**

Care must be taken when handling the boxes of housings. They must not fall.