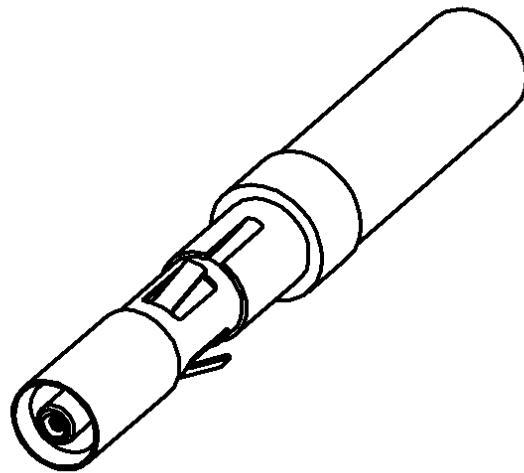
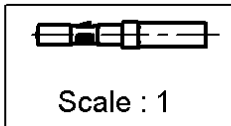
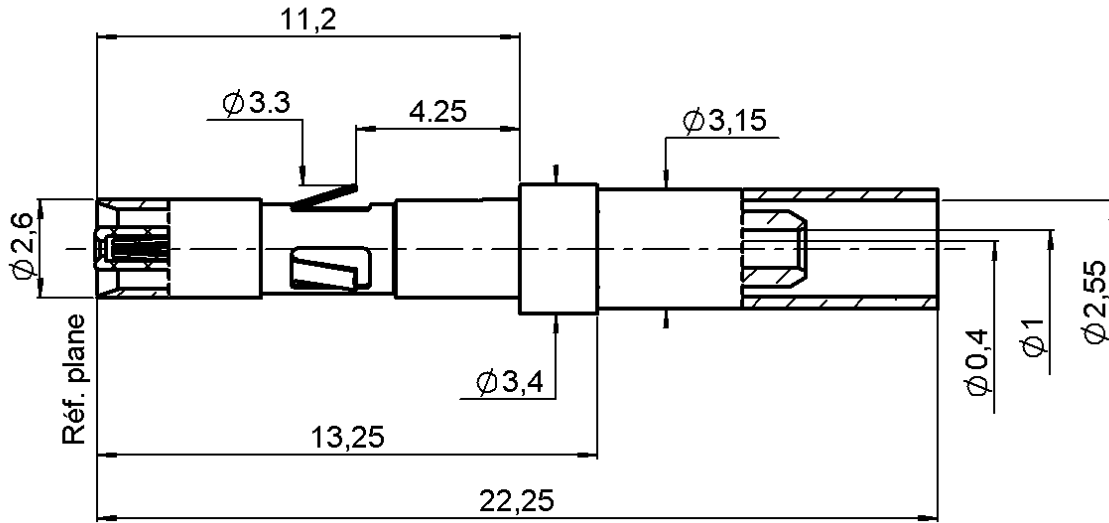


STRAIGHT JACK CRIMP TYPE INSERT

R199.001.003

CABLE 2/50 S

Series : MCC2



All dimensions are in mm.



COMPONENTS	MATERIALS	PLATING (µm)
BODY	BRASS	NPGR
CENTER CONTACT	BERYLLIUM COPPER	NPGR
OUTER CONTACT	-	-
INSULATOR	PTFE+PEEK	-
GASKET	-	-
OTHERS PARTS	BRASS	.GOLD 0.2 OVER NICKEL 2
-	-	-
-	-	-

Issue : 0619 E

In the effort to improve our products, we reserve the right to make changes judged to be necessary.



STRAIGHT JACK CRIMP TYPE INSERT

R199.001.003

CABLE 2/50 S

Series : **MCC2**

PACKAGING

Standard	Unit	Other
1	-	Contact us

SPECIFICATION

ELECTRICAL CHARACTERISTICS

Impedance	50	Ω
Frequency	0-6	GHz
VSWR	1.15 + 0,0000	x F(GHz) Maxi
Insertion loss	0.2	\sqrt{F} (GHz) dB Maxi
RF leakage	- (AD)	- F(GHz)) dB Maxi
Voltage rating	500	Veff Maxi
Dielectric withstanding voltage	750	Veff mini
Insulation resistance	5000	M Ω mini

CABLE ASSEMBLY

Stripping	a	b	c	d	e	f
mm	2,50	6,00	10,0	0,00	7,50	0,00

Assembly instruction : **Crimp 02**

Recommended cable(s)
RG 178
RG 196

Characteristics indicated on this data sheet are those that can be achieved with the highest performance cable. Intrinsic limitations of the cable may diminish the performance of the assembly

Cable retention

- pull off **32** N mini
- torque **NA** N.cm

MECHANICAL CHARACTERISTICS

Center contact retention	
Axial force – Mating end	6 N mini
Axial force – Opposite end	6 N mini
Torque	NA N.cm mini

TOOLING

Part Number	Description	Hexagon
.	.	.
R282.211.000	CRIMPING TOOL	2.67
R282.235.003	CRIMPING DIES	2.67
R282.281.000	CRIMPING TOOL	2 x 4 pts (pos 4)
R282.293.000	CRIMPING TOOL M22520/5-01	
R282.967.030	POSITIONER FOR TOOL R282 281 000	

Recommended torque	
Mating	NA N.cm
Panel nut	NA N.cm
Clamp nut	NA N.cm
A/F clamp nut	0,0000 mm

Mating life	500 Cycles mini
Weight	0,6800 g

ENVIRONMENTAL

Operating temperature	-25/+125 °C
Hermetic seal	NA Atm.cm3/s
Panel leakage	NA

OTHER CHARACTERISTICS

Issue : **0619 E**

In the effort to improve our products, we reserve the right to make changes judged to be necessary.

