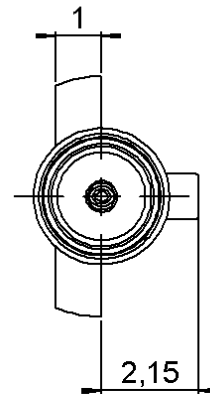
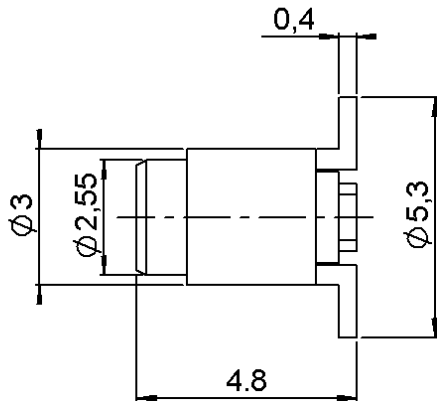


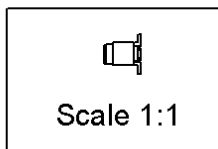
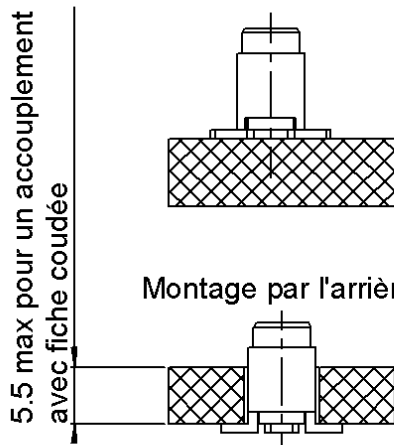
SMT RECEPTACLE FOR PCB

**R199.005.523**

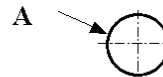
Series : MC-CARD



Montage en surface

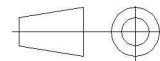


PANEL CUT OUT



mm	
	Maxi mini
A	3.40 3.20

Uniquement pour montage arrière



All dimensions are in mm.

COMPONENTS	MATERIALS	PLATINGS (µm)
BODY	BRASS	GOLD 0.5 OVER NICKEL 2
CENTER CONTACT	BERYLLIUM COPPER	GOLD 1.3 OVER NICKEL 2
OUTER CONTACT	BRASS	GOLD 0.5 OVER NICKEL 2
INSULATOR	PTFE	
GASKET		
OTHERS PARTS		
-	-	-
-	-	-

Issue : 0430 D

In the effort to improve our products, we reserve the right to make changes judged to be necessary.



**SMT RECEPTACLE FOR PCB**

**R199.005.523**

Series : **MC-CARD**

**PACKAGING**

**SPECIFICATION**

Standard	Unit	Other
<b>1</b>	-	<b>Contact us</b>

**917 686 82**

**ELECTRICAL CHARACTERISTICS**

**ENVIRONMENTAL**

Impedance		<b>50</b> Ω
Frequency		<b>0-8</b> GHz
VSWR	<b>1.15</b> +	<b>0.015</b> x F(GHz) Maxi
Insertion loss		<b>.07</b> √F(GHz) dB Maxi
RF leakage	- (	- F(GHz)) dB Maxi
Voltage rating		<b>170</b> Veff Maxi
Dielectric withstanding voltage		<b>500</b> Veff mini
Insulation resistance		<b>5000</b> MΩ mini

Operating temperature	<b>-65/+165</b> ° C
Hermetic seal	<b>NA</b> Atm.cm3/s
Panel leakage	<b>NA</b>

**OTHERS CHARACTERISTICS**

Assembly instruction

Others :

**MECHANICAL CHARACTERISTICS**

Center contact retention		
Axial force – Mating end	<b>NA</b>	N mini
Axial force – Opposite end	<b>NA</b>	N mini
Torque	<b>NA</b>	N.cm mini
Recommended torque		
Mating	<b>NA</b>	N.cm
Panel nut	<b>NA</b>	N.cm
Mating life	<b>500</b>	Cycles mini
Weight	<b>0.153</b>	g

Issue : 0430 D

In the effort to improve our products, we reserve the right to make changes judged to be necessary.



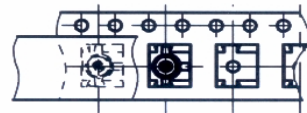
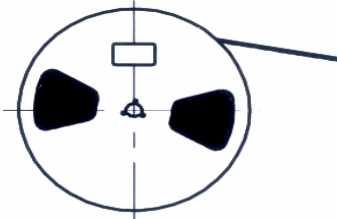
SMT RECEPTACLE FOR PCB

**R199.005.523**

Series : MC-CARD

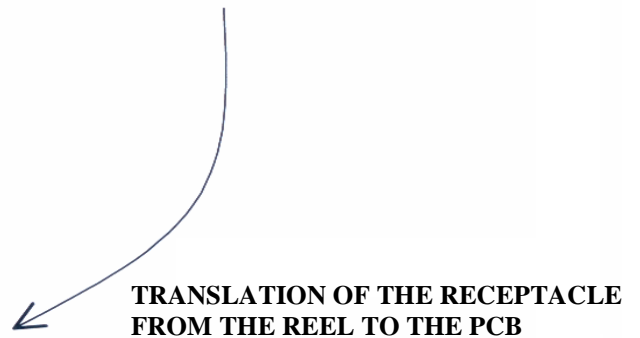
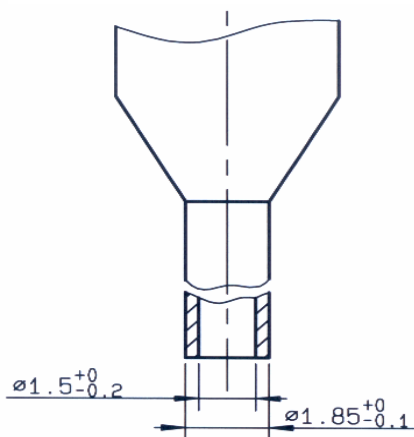
**MC-CARD SERIES - INFORMATIONS**

R199.005.820  
Ou  
R199.005.821

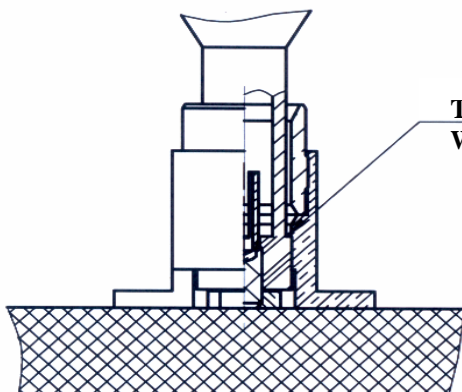


**ASPIRATION PORT**

**ALVEOLES**



**TRANSLATION OF THE RECEPTACLE FROM THE REEL TO THE PCB**



**THE ASPIRATION PORT SHOULD BE IN CONTACT WITH THE INSULATOR**

CI

PCB

Issue : 0430 D

In the effort to improve our products, we reserve the right to make changes judged to be necessary.



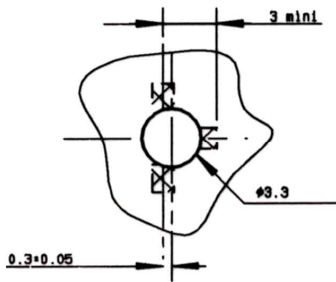
SMT RECEPTACLE FOR PCB

**R199.005.523**

Series : MC-CARD

**MC-CARD SERIES - INFORMATIONS**

Solution A



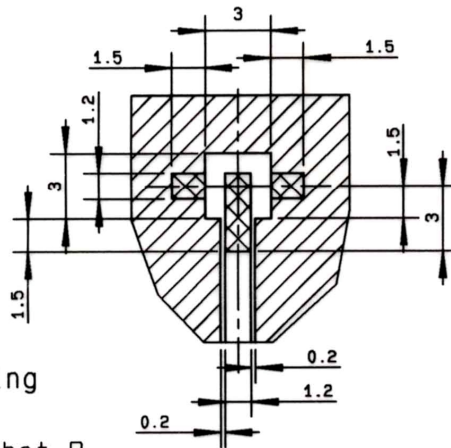
receptacle back planting

Same printed circuit that B  
+ DIA 0.13

Solution A



Solution B



Solution B



Pattern

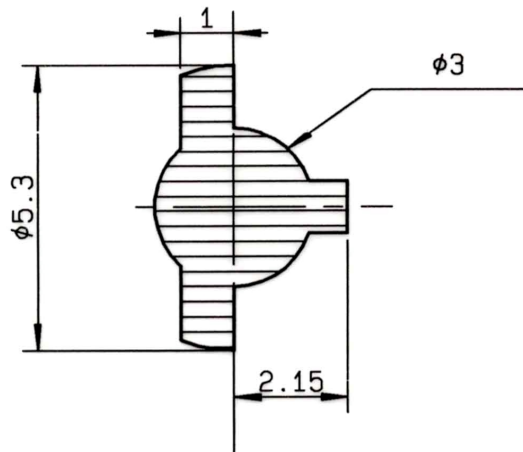


Land for solder paste

**COPLANAR LINE**

Pattern and signal are on the same side  
Thickness of PCB : .063 (1.6 mm)  
The material of PCB is the epoxy resin  
of glass fabrics base. (Er = 4.8)  
The solder resist should be printed  
except for the land pattern on the PCB.

**SHADOW OF MC-CARD RECEPTACLE  
FOR VIDEO CAMERA**



Issue : 0430 D

In the effort to improve our products, we reserve the right to make changes judged to be necessary.



**RADIALL**®