

EDGE CARD RECEPTACLES

MC-CARD series



SMT EDGE CARD RECEPTACLES

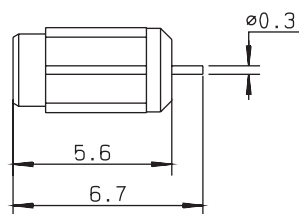
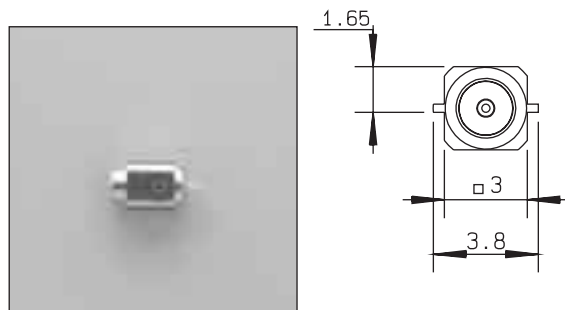


Fig. 1

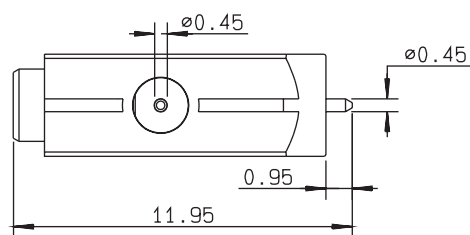
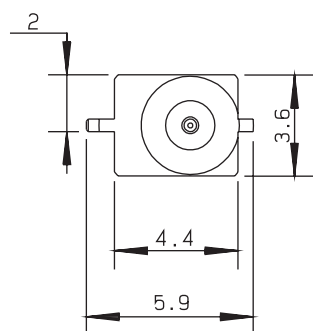
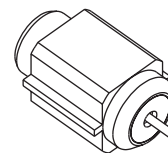
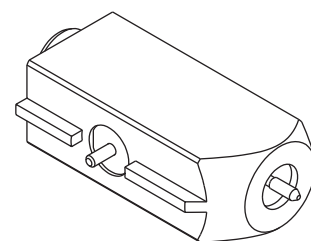


Fig. 2



part number	fig.	captive center contact	center contact	mounting	PCB	finish	packaging	note
R199 005 800	1	yes	female	M03	P16	gold	400 p / reel	
R199 005 800 W	1	yes			P16	gold	unit	
R199 005 801	1	yes			P16	gold	1800 p / reel	
R199 005 890	2	yes			P10	gold	500 p / reel	microswitch
R199 005 890 W	2	yes			P10	gold	unit	

For more information about **MC-CARD series**, please ask for our catalog **D1 199 CE**.

For any information regarding our microswitch range, please ask for our catalog **D1 008 DE**.