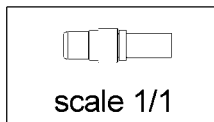
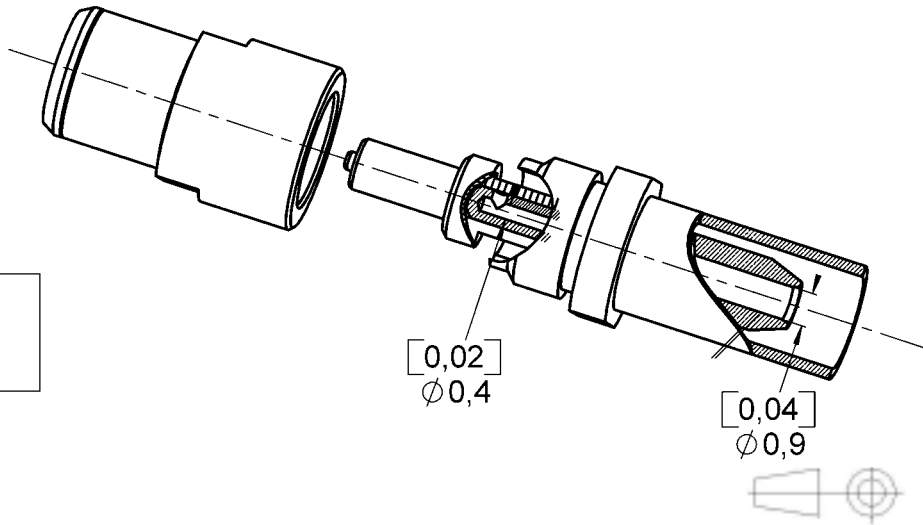
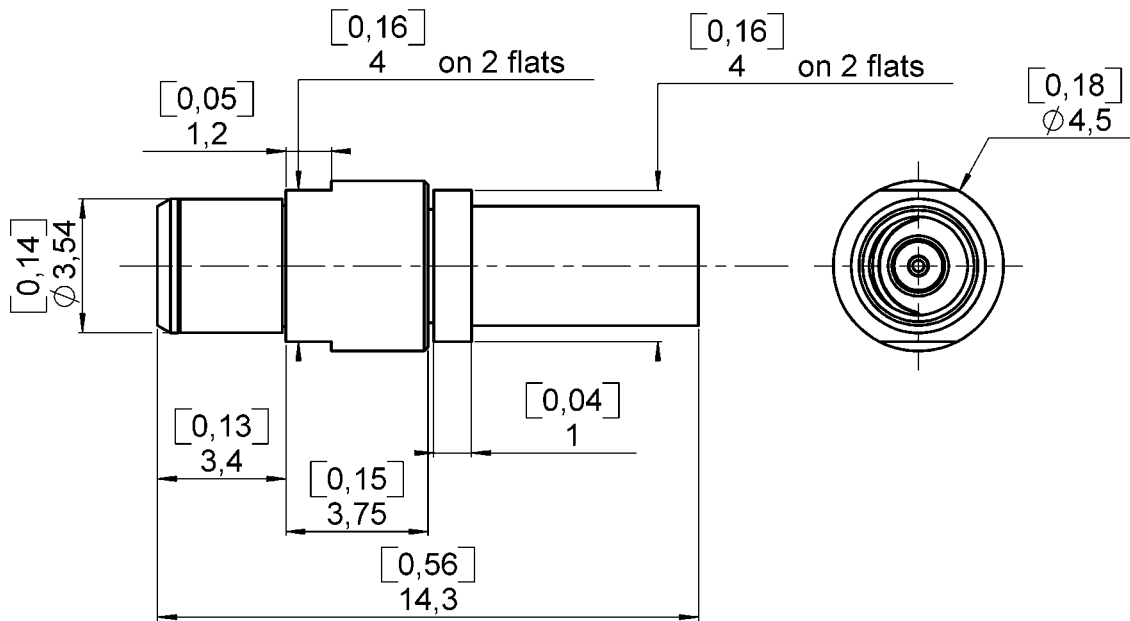


**STRAIGHT PLUG CRIMP TYPE**

**R199.006.203**

**CABLE 2/50 S-PACK. 100**

Series : MOEBIUS



All dimensions are in mm.

| COMPONENTS     | MATERIALS        | PLATING (µm) |
|----------------|------------------|--------------|
| BODY           | BRASS            | NPGR         |
| CENTER CONTACT | BRASS            | NPGR         |
| OUTER CONTACT  | BRASS            | NPGR         |
| INSULATOR      | PTFE             |              |
| GASKET         | -                |              |
| OTHERS PARTS   | BERYLLIUM COPPER | NPGR         |
| -              | -                | -            |
| -              | -                | -            |

Issue : 0739 A

In the effort to improve our products, we reserve the right to make changes judged to be necessary.



**STRAIGHT PLUG CRIMP TYPE**

**R199.006.203**

**CABLE 2/50 S-PACK. 100**

Series : MOEBIUS

**PACKAGING**

| Standard   | Unit              | Other             |
|------------|-------------------|-------------------|
| <b>100</b> | <b>'W' option</b> | <b>Contact us</b> |

**SPECIFICATION**

**ELECTRICAL CHARACTERISTICS**

|                                 |                      |                          |
|---------------------------------|----------------------|--------------------------|
| Impedance                       | <b>50</b>            | $\Omega$                 |
| Frequency                       | <b>0-6</b>           | GHz                      |
| VSWR                            | <b>1.05 + 0,0500</b> | x F(GHz) Maxi            |
| Insertion loss                  |                      | $\sqrt{F}$ (GHz) dB Maxi |
| RF leakage                      | - ( <b>NA</b> )      | - F(GHz)) dB Maxi        |
| Voltage rating                  | <b>170</b>           | Veff Maxi                |
| Dielectric withstanding voltage | <b>500</b>           | Veff mini                |
| Insulation resistance           | <b>5000</b>          | M $\Omega$ mini          |

**CABLE ASSEMBLY**

| Stripping | a    | b    | c    | d    | e    | f    |
|-----------|------|------|------|------|------|------|
| mm        | 2,70 | 4,50 | 9,20 | 0,00 | 6,50 | 0,00 |

Assembly instruction : **NA**

Recommended cable(s)  
RG 196  
RG 178

Characteristics indicated on this data sheet are those that can be achieved with the highest performance cable. Intrinsic limitations of the cable may diminish the performance of the assembly

Cable retention

- pull off **35** N mini  
- torque N.cm

**MECHANICAL CHARACTERISTICS**

|                            |           |           |
|----------------------------|-----------|-----------|
| Center contact retention   |           |           |
| Axial force – Mating end   | <b>10</b> | N mini    |
| Axial force – Opposite end | <b>10</b> | N mini    |
| Torque                     |           | N.cm mini |

|                    |               |      |
|--------------------|---------------|------|
| Recommended torque |               |      |
| Mating             |               | N.cm |
| Panel nut          |               | N.cm |
| Clamp nut          | <b>30</b>     | N.cm |
| A/F clamp nut      | <b>4,0000</b> | mm   |

|             |               |             |
|-------------|---------------|-------------|
| Mating life | <b>10000</b>  | Cycles mini |
| Weight      | <b>0,5700</b> | g           |

**TOOLING**

| Part Number  | Description                  | Hexagon |
|--------------|------------------------------|---------|
| .            | .                            | .       |
| R282.211.000 | CRIMPING TOOL                | 2.67    |
| R282.235.003 | CRIMPING DIES                | 2.67    |
| R282.293.000 | CRIMPING TOOL<br>M22520/5-01 |         |

**OTHER CHARACTERISTICS**

**ENVIRONMENTAL**

|                       |                 |              |
|-----------------------|-----------------|--------------|
| Operating temperature | <b>-40/+110</b> | $^{\circ}$ C |
| Hermetic seal         |                 | Atm.cm3/s    |
| Panel leakage         |                 |              |

Issue : 0739 A

In the effort to improve our products, we reserve the right to make changes judged to be necessary.

