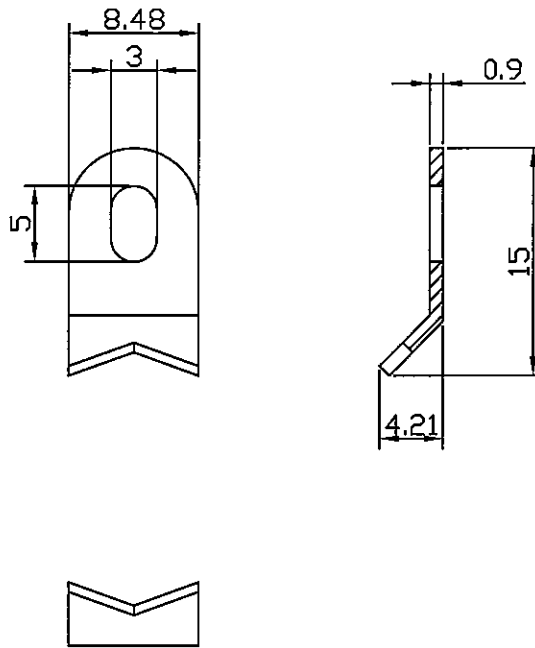


Material: SK5, Zn-plated



Tolerances Unless Otherwise Specified ± 0.3

						△	
						△	
Date	Name	Description				No.	
Drawn	Checked	Approved	SCI BOM No.	Model Name	Clamp		
曹盈芳		<i>王</i>	Customer No.	48R248C4-E	Model No.	R2-48SC004	Rev.
12/11/14		12/11/14	Unit	mm	Shin Chin Industrial Co., Ltd.		0