

**SURFACE MOUNT GLASS PASSIVATED
HIGH VOLTAGE SILICON RECTIFIER**

VOLTAGE RANGE 2000 to 4000 Volts CURRENT 0.5/0.2 Ampere

FEATURES

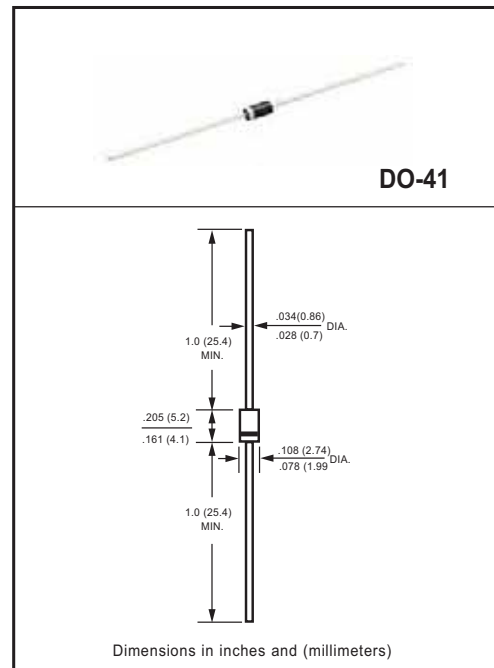
- * Low cost
- * Low leakage
- * Low forward voltage drop
- * High current capability

MECHANICAL DATA

- * Case: Molded plastic
- * Epoxy: Device has UL flammability classification 94V-O
- * Lead: MIL-STD-202E method 208C guaranteed
- * Mounting position: Any
- * Weight: 0.34 gram

MAXIMUM RATINGS AND ELECTRICAL CHARACTERISTICS

Ratings at 25°C ambient temperature unless otherwise specified.
Single phase, half wave, 60 Hz, resistive or inductive load.
For capacitive load, derate current by 20%.



MAXIMUM RATINGS (At TA = 25°C unless otherwise noted)

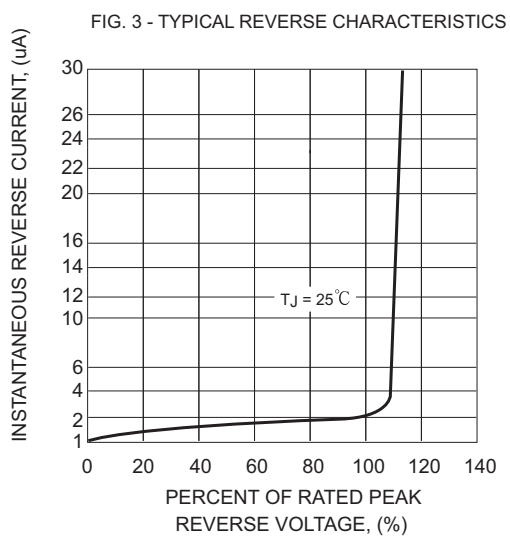
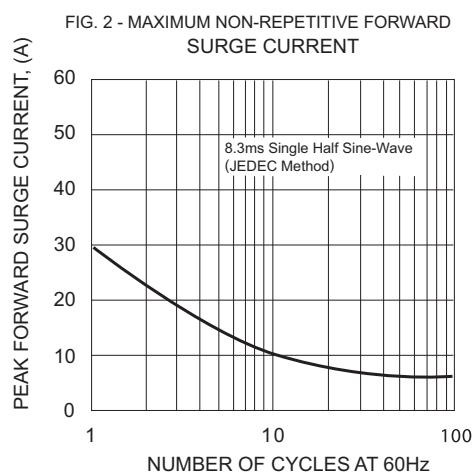
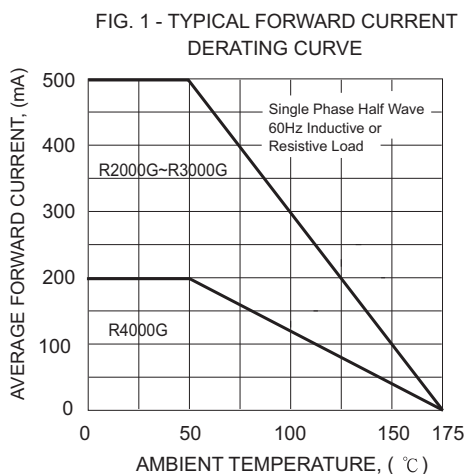
RATINGS	SYMBOL	R2000G	R3000G	R4000G	UNITS
Maximum Recurrent Peak Reverse Voltage	V _{RRM}	2000	3000	4000	Volts
Maximum RMS Volts	V _{RMS}	1400	2100	2800	Volts
Maximum DC Blocking Voltage	V _{DC}	2000	3000	4000	Volts
Maximum Average Forward Rectified Current at TA = 50°C	I _o	0.5		0.2	Amps
Peak Forward Surge Current, 8.3 ms single half sine-wave superimposed on rated load (JEDEC method)	I _{FSM}	30			Amps
Typical Current Squared Time	I ² t	3.735			A ² S
Typical Thermal Resistance	R _{θJA}	65			°C/W
	R _{θJL}	30			
Typical Junction Capacitance (Note)	C _J	30			pF
Operating and Storage Temperature Range	T _J , T _{STG}	-65 to +175			°C

ELECTRICAL CHARACTERISTICS (At TA = 25°C unless otherwise noted)

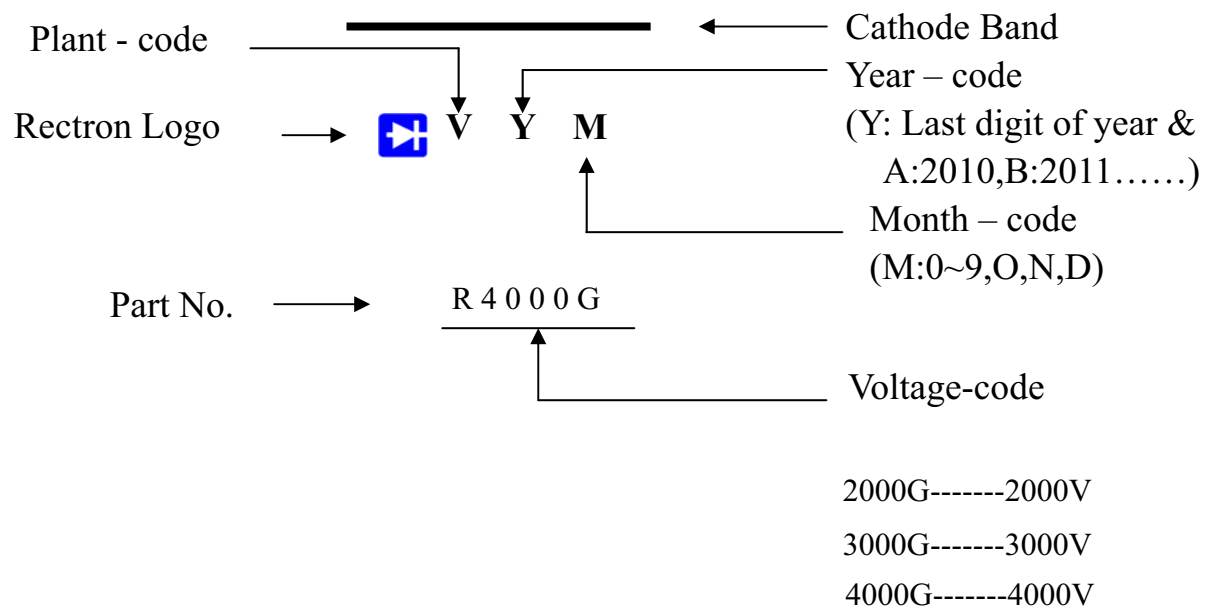
CHARACTERISTICS	SYMBOL	R2000G	R3000G	R4000G	UNITS
Maximum Instantaneous Forward Voltage at 0.2A DC	V _F	2.0	3.0	4.0	Volts
Maximum DC Reverse Current at Rated DC Blocking Voltage	I _R	@TA = 25°C		5.0	uAmps
		@TA = 150°C		5.0	
Maximum Full Load Reverse Current Average, Full Cycle .375", (9.5mm) lead length at TL = 75°C				30	uAmps

- NOTES : 1. Measured at 1 MHz and applied reverse voltage of 4.0 volts.
2. "ROHS compliant".
3. Available in Halogen-free epoxy by adding suffix -HF after the part nbr.

RATING AND CHARACTERISTIC CURVES (R2000G THRU R4000G)



Marking Description



PACKAGING OF DIODE AND BRIDGE RECTIFIERS

BULK PACK

PACKAGE	PACKING CODE	EA PER BOX	INNER BOX SIZE (mm)	CARTON SIZE (mm)	EA PER CARTON	GROSS WEIGHT(Kg)
DO-41	-B	1,000	194*75*21	415*220*255	50,000	16.2

REEL PACK

PACKAGE	PACKING CODE	EA PER REEL	EA PER INNER BOX	COMPONENT SPACE (mm)	TAPE SPACE (mm)	REEL DIA (mm)	CARTON SIZE (mm)	EA PER CARTON	GROSS WEIGHT(Kg)
DO-41	-T	5,000	5,000	5.0	52	330	355*350*335	20,000	10.49

AMMO PACK

PACKAGE	PACKING CODE	REEL (EA)	COMPONENT SPACE(mm)	TAPE SPACE (mm)	BOX SIZE (mm)	CARTON SIZE(mm)	CARTON (EA)	GROSS WEIGHT (Kg)
DO-41	-F	3,000	5.0	52	255*73*100	400*268*225	30,000	13.0
DO-41	-E	3,000	5.0	26	256*48*94	365*270*217	42,000	12.41