

10/100BASE-T DUAL PORT TRANSFORMER MODULES

Industrial grade



- Compliant with IEEE 802.3 standards
- 350µH OCL with 8mA DC bias at 100KHz 100mV
- Lead finish: Pure tin
- Moisture Sensitivity Level: 1

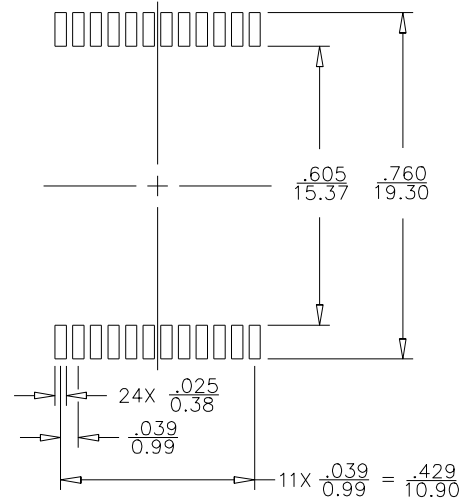
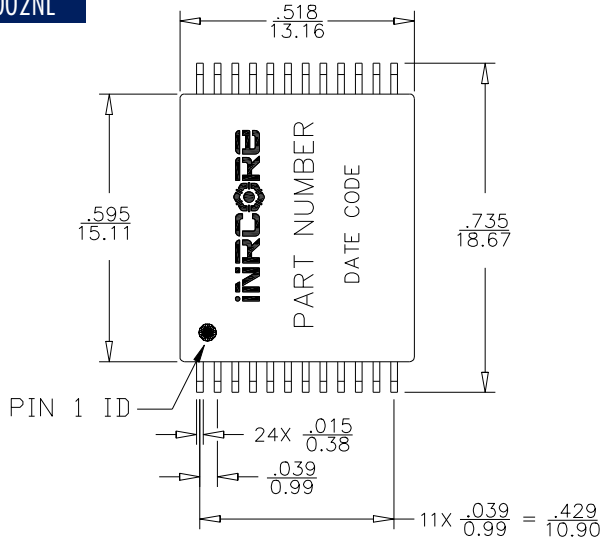
Electrical Specifications @ 25 °C – Operating Temperature – 40°C to +85 °C

Part Number	Insertion Loss (dB Max)	Return Loss (dB Min)			Crosstalk (dB Min)				DM to CM Rejection Ratio (dB Min)			Dielectric Withstanding Voltage @60s (Vrms MIN)
	0.1-100 MHz	30 MHz	60 MHz	80 MHz	1 MHz	30 MHz	60 MHz	100 MHz	30 MHz	60 MHz	100 MHz	
R2002NL	-1.2	-18	-14	-12	-50	-43	-37	-33	-43	-37	-33	1500

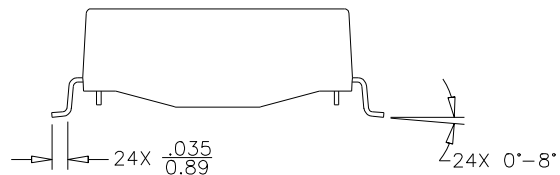
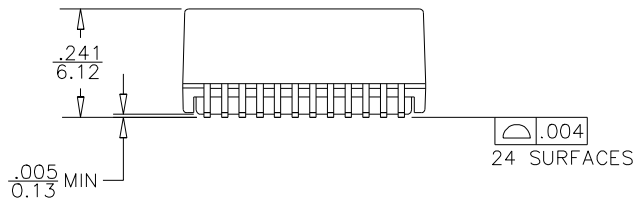
Notes: 1. Add suffix "T" to part number for Tape & Reel package (ie: **R2002NLT**).

Mechanical

R2002NL



SUGGESTED LAND PATTERN



Dimensions: $\frac{\text{Inches}}{\text{mm}}$
 Unless otherwise specified,
 all tolerances are + .010

Weight.....3.0grams
 Tape and Reel.....300/reel
 Tube 25/tube



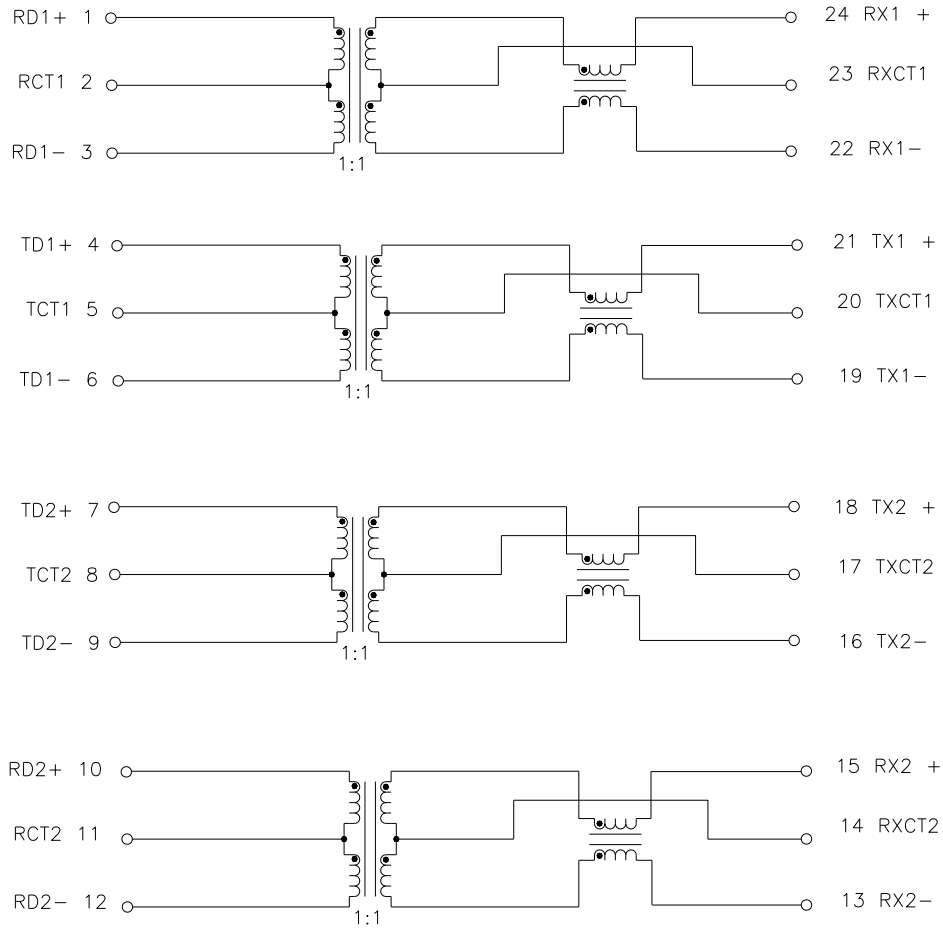
10/100BASE-T DUAL PORT TRANSFORMER MODULES

Industrial grade

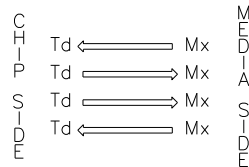


Electrical Schematic

R2002NL



LEGEND



ALL CHANNELS ARE
IN-PHASE BETWEEN
INPUT AND OUTPUT

