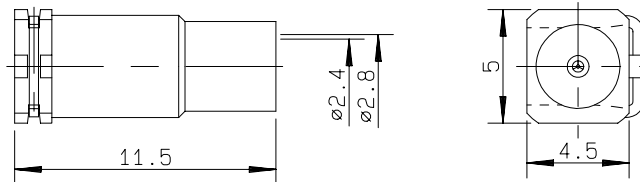


### STRAIGHT FEMALE PLUG CRIMP TYPE

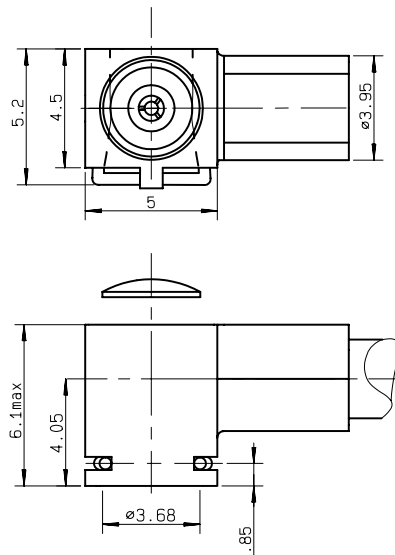


| cable group | part number         | captive center contact | finish |
|-------------|---------------------|------------------------|--------|
| 2.6/50/S    | <b>R210 087 000</b> | Yes                    | Nickel |

### RIGHT ANGLE FEMALE PLUG CRIMP TYPE



Extraction tool : see page 14



| cable group | part number         | captive center contact | finish |
|-------------|---------------------|------------------------|--------|
| 2/50/S      | <b>R210 153 000</b> | Yes                    | Nickel |
| 2/50/D      | <b>R210 155 000</b> | Yes                    | Nickel |
| 2.6/50/S    | <b>R210 157 000</b> | Yes                    | Nickel |
| 2.6/50/D    | <b>R210 158 000</b> | Yes                    | Nickel |
| 2/75/S      | <b>R210 153 000</b> | Yes                    | Nickel |