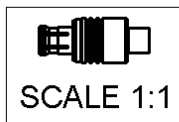
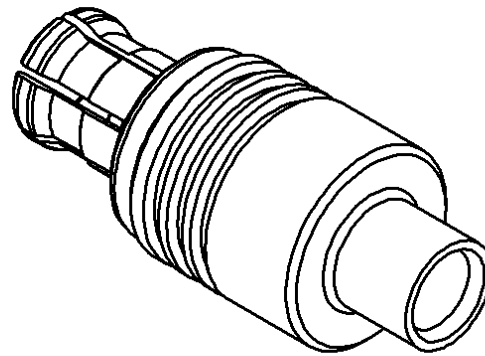
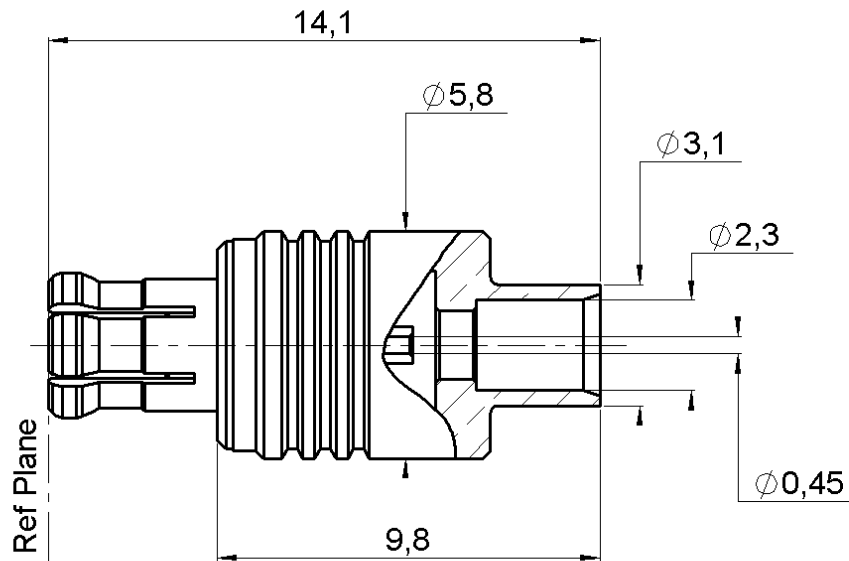


STRAIGHT PLUG SOLDER TYPE

R213.053.037

CABLE .085/75

Series : MCX 75



All dimensions are in mm.



COMPONENTS	MATERIALS	PLATING (µm)
BODY	BRASS	BBR 2
CENTER CONTACT	BRASS	GOLD 1.3 OVER NICKEL 2
OUTER CONTACT	BERYLLIUM COPPER	GOLD 1.3 OVER NICKEL 2
INSULATOR	PTFE	
GASKET	-	-
OTHERS PARTS	-	-
-	-	-
-	-	-

Issue : 0633 A

In the effort to improve our products, we reserve the right to make changes judged to be necessary.



STRAIGHT PLUG SOLDER TYPE

R213.053.037

CABLE .085/75

Series : **MCX 75**

PACKAGING

Standard	Unit	Other
100	'W' option	Contact us

SPECIFICATION

ELECTRICAL CHARACTERISTICS

Impedance		75 Ω
Frequency		0-6 GHz
VSWR	1.05 + 0,0200	x F(GHz) Maxi
Insertion loss		0.1 \sqrt{F} (GHz) dB Maxi
RF leakage	- (NA - F(GHz)) dB Maxi
Voltage rating		250 Veff Maxi
Dielectric withstanding voltage		750 Veff mini
Insulation resistance		1000 MΩ mini

CABLE ASSEMBLY

Stripping	a	b	c	d	e	f
mm	2,40	0,00	0,00	0,00	1,70	0,00

Assembly instruction :

Recommended cable(s)
UT 085-75-TP

Characteristics indicated on this data sheet are those that can be achieved with the highest performance cable. Intrinsic limitations of the cable may diminish the performance of the assembly

Cable retention

- pull off	130 N mini
- torque	NA N.cm

MECHANICAL CHARACTERISTICS

Center contact retention	
Axial force – Mating end	10 N mini
Axial force – Opposite end	10 N mini
Torque	NA N.cm mini

TOOLING

Part Number	Description	Hexagon
.	.	.
R282.740.020	SOLDERING MOUNTING	

Recommended torque	
Mating	NA N.cm
Panel nut	NA N.cm
Clamp nut	NA N.cm
A/F clamp nut	0,0000 mm

OTHER CHARACTERISTICS

Mating life	500 Cycles mini
Weight	1,1600 g

ENVIRONMENTAL

Operating temperature	-55/+115 °C
Hermetic seal	NA Atm.cm3/s
Panel leakage	NA

Issue : **0633 A**

In the effort to improve our products, we reserve the right to make changes judged to be necessary.

