

## RIGHT ANGLE PCB PLUG RECEPTACLES

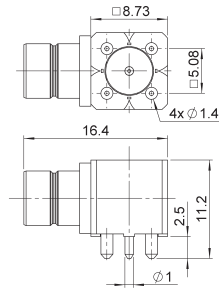
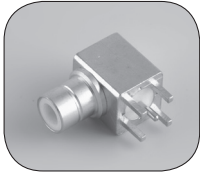


Fig. 1

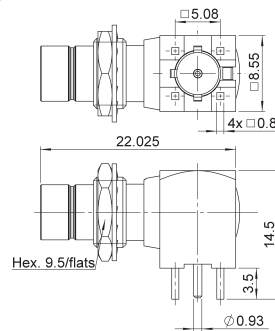


Fig. 2

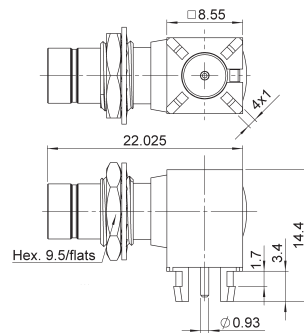
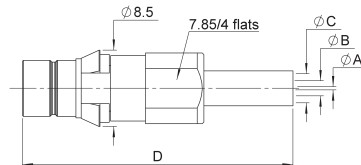


Fig. 3

Part number	Fig	Panel drilling	Note	Packaging
R214 665 850	1	P01		30
R214 670 310	2		Bulkhead	160
R214 670 320	3		Bulkhead/Harpoon legs	160

## PLUGS - HIGH DENSITY

### STRAIGHT PLUGS CRIMP TYPE FOR FLEXIBLE CABLES



Cable group	Cable group dia.	BT Reference	Part number	Dimensions				Panel drilling	Packaging
				A	B	C	D		
RG179	2.6/75/S	HDC 43/4 GTIS	<b>R214 318 702</b>	0.38	1.73	3.25	35	P04	20 pieces
RA8000	2.75/75/D	HDC 43/8 GTIS	R214 318 732	0.36	2.10	4.06			
BT3002	3.6/75/D	HDC 43/5 GTIS	<b>R214 318 722</b>	0.36	2.10	4.47			
RA7000	4.5/75/D	HDC 43/7 GTIS	R214 325 742	0.69	3.00	5.48			
BT2002	5.1/75/D	HDC 43/2 GTIS	R214 318 762	0.69	2.60	4.75			
BT2003	6.7/75/D	HDC 43/3 GTIS	R214 318 782	0.72	3.90	7.15			

To download data sheets and assembly instructions, visit [www.radiall.com](http://www.radiall.com) & enter the part number in the Search box.

**Bold** part numbers represent products typically in stock & available for immediate shipment.

See page 8 and 9 for packaging information.