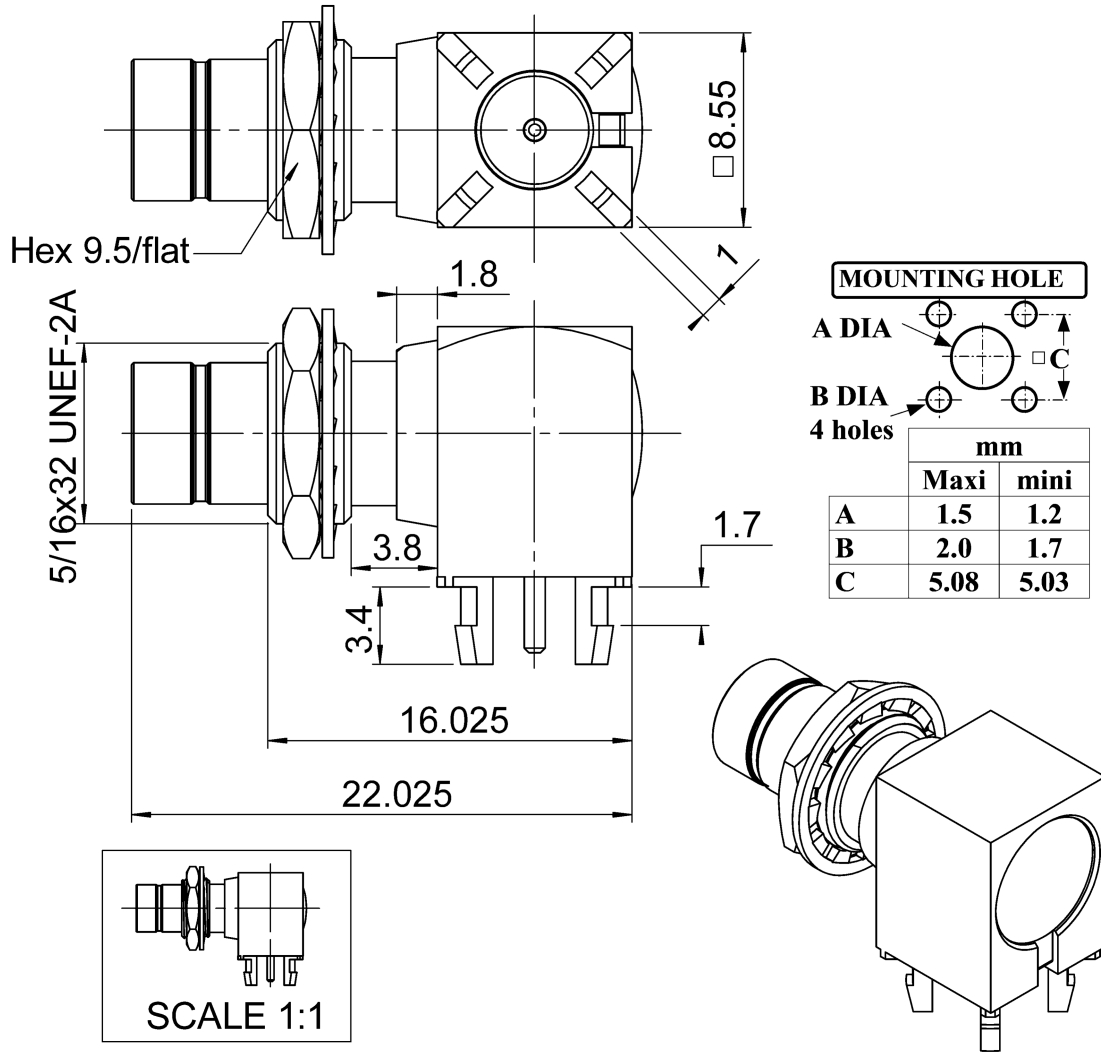
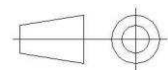


PAGE 1/2	ISSUE 1442A	SERIES SMZ (BT43)	PART NUMBER R214670320
----------	-------------	-------------------	------------------------



All dimensions are in mm.



COMPONENTS	MATERIALS	PLATING (µm)
Body	BRASS	GOLD OVER NICKEL
Center contact	BRASS	GOLD OVER COPPER
Outer contact	-	-
Insulator	PTFE	-
Gasket	-	-
Others parts	BRASS	NICKEL
-	-	-
-	-	-

PAGE 2/2	ISSUE 1442A	SERIES SMZ (BT43)	PART NUMBER R214670320
----------	-------------	-------------------	------------------------

PACKAGING

Standard	Unit	Other
160	Contact us	Contact us

ELECTRICAL CHARACTERISTICS

Impedance		75	Ω
Frequency		0-3	GHz
VSWR	NA	+	0.0000 x F(GHz) Maxi
Insertion loss		NA	√F(GHz) dB Maxi
RF leakage		-	(F(GHz)) dB Maxi
Voltage rating		500	Veff Maxi
Dielectric withstanding voltage		1500	Veff mini
Insulation resistance		500	MΩ mini

ENVIRONMENTAL

Operating temperature	-40/+100	°C
Hermetic seal	NA	Atm.cm3/s
Panel leakage	NA	

MECHANICAL CHARACTERISTICS

Center contact retention			
Axial force – Mating End		22	N mini
Axial force – Opposite end		NA	N mini
Torque		NA	N.cm mini

SPECIFICATION

OTHER CHARACTERISTICS

Recommended torque			
Mating		NA	N.cm
Panel nut		170	N.cm
Mating life		250	Cycles mini
Weight		7.5100	g

Assembly instruction:

Others:

Assembly nut and washer of R214.670.300