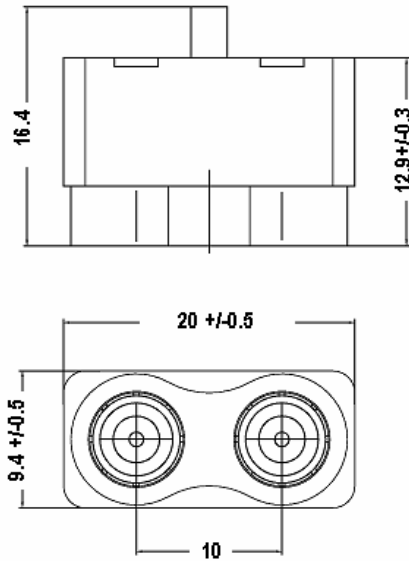


"U" LINK FEMALE-FEMALE PITCH 10.0

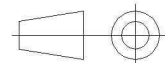
R214.797.703

PACK 50

Series : **HDC 43**



All dimensions are in mm.



COMPONENTS	MATERIALS	PLATING (µm)
BODY	ZAMAK	NICKEL
CENTER CONTACT	BRONZE	GOLD OVER NICKEL
OUTER CONTACT	BRASS	GOLD OVER NICKEL
INSULATOR	PTFE	
GASKET	-	
OTHERS PARTS	-	
-	-	
-	-	

Issue : 1041 G

In the effort to improve our products, we reserve the right to make changes judged to be necessary.



"U" LINK FEMALE-FEMALE PITCH 10.0

R214.797.703

PACK 50

Series : **HDC 43**

PACKAGING

SPECIFICATION

Standard	Unit	Other
50	'W' option	Contact us

ELECTRICAL CHARACTERISTICS

ENVIRONMENTAL

Impedance		75 Ω
Frequency		0-3 GHz
VSWR	NA +	0,0000 x F(GHz) Maxi
Insertion loss		NA √F(GHz) dB Maxi
RF leakage	- (NA - F(GHz)) dB Maxi
Voltage rating		500 Veff Maxi
Dielectric withstanding voltage		1500 Veff mini
Insulation resistance		5000 MΩ mini

Operating temperature	-40/+100 ° C
Hermetic seal	NA Atm.cm3/s
Panel leakage	NA

OTHER CHARACTERISTICS

Assembly instruction **NA**

Others :
TRL REF. Q96122Z

MECHANICAL CHARACTERISTICS

Center contact retention		
Axial force – Mating end		22 N mini
Axial force – Opposite end		NA N mini
Torque		NA N.cm mini
Recommended torque		
Mating		NA N.cm
Panel nut		NA N.cm
Mating life		0 Cycles mini
Weight		10,0000 g

Issue : 1041 G

In the effort to improve our products, we reserve the right to make changes judged to be necessary.

RADIALL 