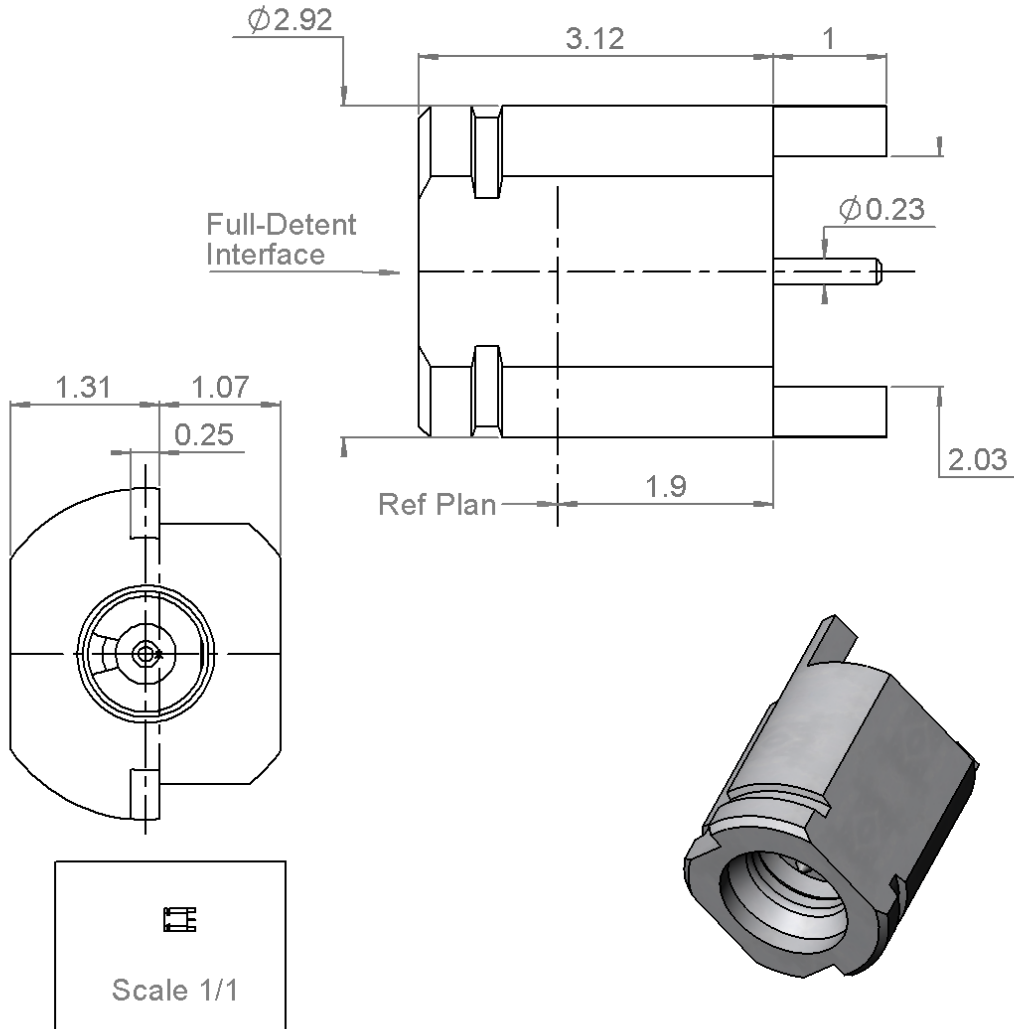
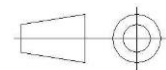


PAGE 1/3	ISSUE 12-03-19A	SERIES SMPW	PART NUMBER R218423000
----------	-----------------	-------------	------------------------



All dimensions are in mm. Tolerances according ISO 2768 m-H



COMPONENTS	MATERIALS	PLATING (µm)
Body	BERYLLIUM COPPER	GOLD OVER NICKEL
Center contact	BERYLLIUM COPPER	GOLD OVER NICKEL
Outer contact		
Insulator	PEEK	
Gasket		
Others parts		
-	-	-
-	-	-

PAGE 2/3	ISSUE 12-03-19A	SERIES SMPW	PART NUMBER R218423000
----------	-----------------	-------------	------------------------

PACKAGING

Standard	Unit	Other
100	Contact us	Contact us

ELECTRICAL CHARACTERISTICS

Impedance		50	Ω
Frequency		0-100	GHz
VSWR	see* +	0,0000	x F(GHz) Maxi
Insertion loss		-	√F(GHz) dB Maxi
RF leakage	- (-	- F(GHz)) dB Maxi
Voltage rating		125	Veff Maxi
Dielectric withstanding voltage		250	Veff mini
Insulation resistance		3500	MΩ mini

MECHANICAL CHARACTERISTICS

Center contact retention			
Axial force – Mating End		-	N mini
Axial force – Opposite end		-	N mini
Torque		NA	N.cm mini
Recommended torque			
Mating		NA	N.cm
Panel nut		NA	N.cm
Mating life		100	Cycles mini
Weight		0,1200	g

ENVIRONMENTAL

Operating temperature	-40/+125	°C
Hermetic seal	NA	Atm.cm3/s
Panel leakage	NA	

SPECIFICATION

OTHER CHARACTERISTICS

Assembly instruction:

Others:

***Coaxial transmission line only**

***1.1(DC to 26.5Ghz) 1.25(26.5 to 65Ghz)**

-