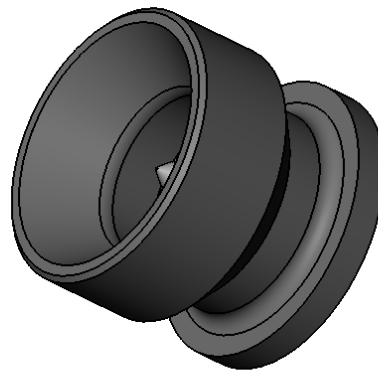
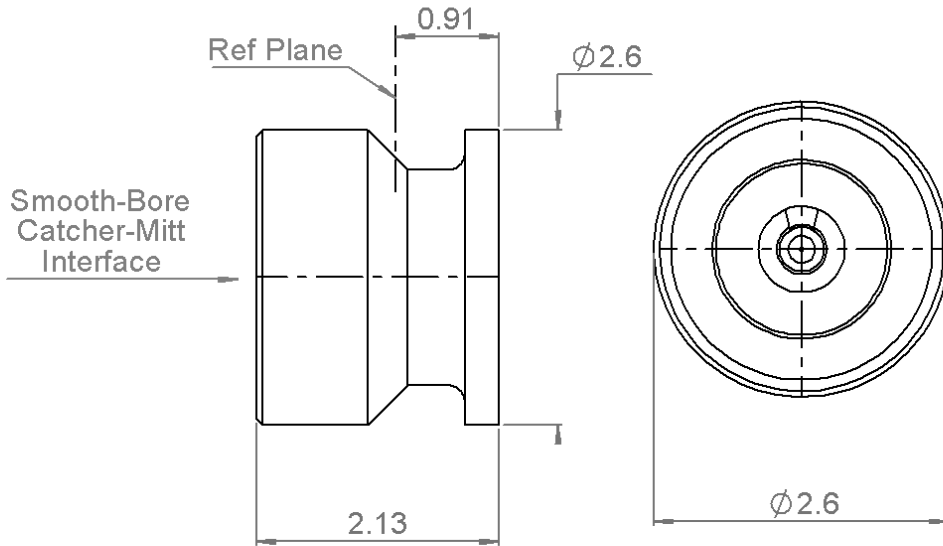
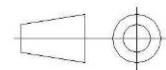


PAGE 1/3	ISSUE 12-03-19A	SERIES SMPW	PART NUMBER R218508700
----------	-----------------	--------------------	-------------------------------



All dimensions are in mm. Tolerances according ISO 2768 m-H



COMPONENTS	MATERIALS	PLATING (µm)
Body	BRONZE	GOLD OVER NICKEL
Center contact	BERYLLIUM COPPER	GOLD OVER NICKEL
Outer contact		
Insulator	PEEK	
Gasket		
Others parts		
-	-	-
-	-	-

PAGE 2/3	ISSUE 12-03-19A	SERIES SMPW	PART NUMBER R218508700
----------	------------------------	--------------------	-------------------------------

PACKAGING

Standard	Unit	Other
100	Contact us	Contact us

ELECTRICAL CHARACTERISTICS

Impedance		50	Ω	
Frequency		0-100	GHz	
VSWR	see* +	0,0000	x F(GHz) Maxi	
Insertion loss		-	√F(GHz) dB Maxi	
RF leakage	- (-	- F(GHz)) dB Maxi	
Voltage rating		125	Veff Maxi	
Dielectric withstanding voltage		250	Veff mini	
Insulation resistance		3500	MΩ mini	

MECHANICAL CHARACTERISTICS

Center contact retention				
Axial force – Mating End		-	N mini	
Axial force – Opposite end		-	N mini	
Torque		NA	N.cm mini	

Recommended torque				
Mating		NA	N.cm	
Panel nut		NA	N.cm	

Mating life		500	Cycles mini	
Nominal Weight (Add +15% for max weight)		0,0500	g	

ENVIRONMENTAL

Operating temperature	-40/+125	°C	
Hermetic seal	NA	Atm.cm3/s	
Panel leakage	NA		

SPECIFICATION

OTHER CHARACTERISTICS

Assembly instruction:

Others:

***Coaxial transmission line only**
***1.1(DC to 26.5Ghz) 1.25(26.5 to 65Ghz)**

-