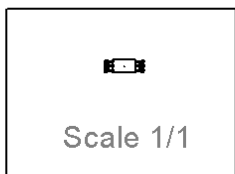
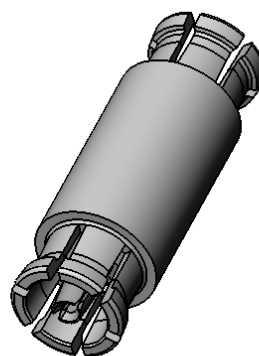
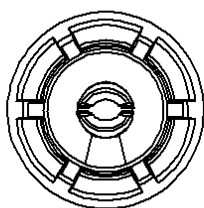
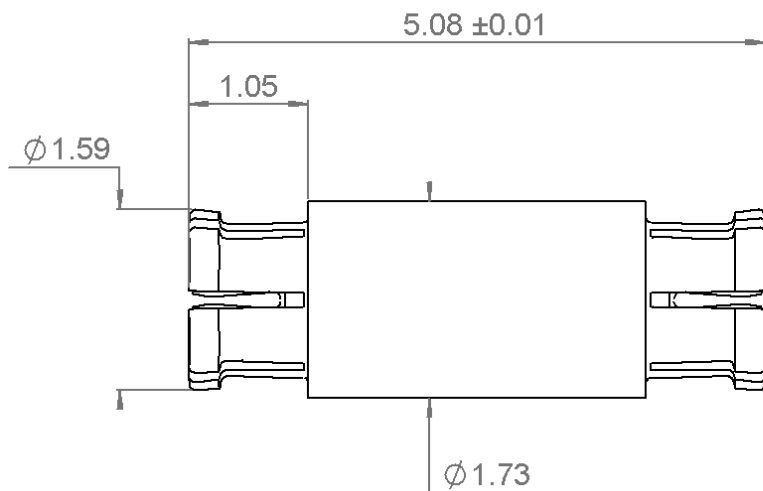
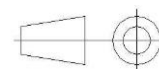


PAGE 1/4	ISSUE 12-03-19C	SERIES SMPW	PART NUMBER R218705020
----------	-----------------	-------------	------------------------



All dimensions are in mm. Tolerances according ISO 2768 m-H



COMPONENTS	MATERIALS	PLATING (µm)
Body	BERYLLIUM COPPER	GOLD OVER NICKEL
Center contact	BERYLLIUM COPPER	GOLD OVER NICKEL
Outer contact		
Insulator	PEEK	
Gasket		
Others parts		
-	-	-
-	-	-

PAGE 2/4	ISSUE 12-03-19C	SERIES SMPW	PART NUMBER R218705020
----------	-----------------	-------------	------------------------

PACKAGING

Standard	Unit	Other
100	Contact us	Contact us

ELECTRICAL CHARACTERISTICS

Impedance		50	Ω
Frequency		0-100	GHz
VSWR	See* +	0,0000	x F(GHz) Maxi
Insertion loss		0.055	√F(GHz) dB Maxi
RF leakage	- (70**	- F(GHz) dB Maxi
Voltage rating		125	Veff Maxi
Dielectric withstanding voltage		250	Veff mini
Insulation resistance		3500	MΩ mini

ENVIRONMENTAL

Operating temperature	-40/+125	°C
Hermetic seal	NA	Atm.cm3/s
Panel leakage	NA	

MECHANICAL CHARACTERISTICS

Center contact retention			
Axial force – Mating End		5.8	N mini
Axial force – Opposite end		5.8	N mini
Torque		NA	N.cm mini

SPECIFICATION

OTHER CHARACTERISTICS

Recommended torque			
Mating		NA	N.cm
Panel nut		NA	N.cm
Mating	100		Cycles mini Full-detent
	500		Cycles Smooth-bore
Weight	0,0500		g

Assembly instruction:

Others:
*1.1(DC to 26.5Ghz) 1.25(26.5 to 65Ghz)
**DC to 40 Ghz

PAGE 3/4	ISSUE 12-03-19C	SERIES SMPW	PART NUMBER R218705020
----------	-----------------	-------------	------------------------

MISALIGNMENT AXIAL AND RADIAL

