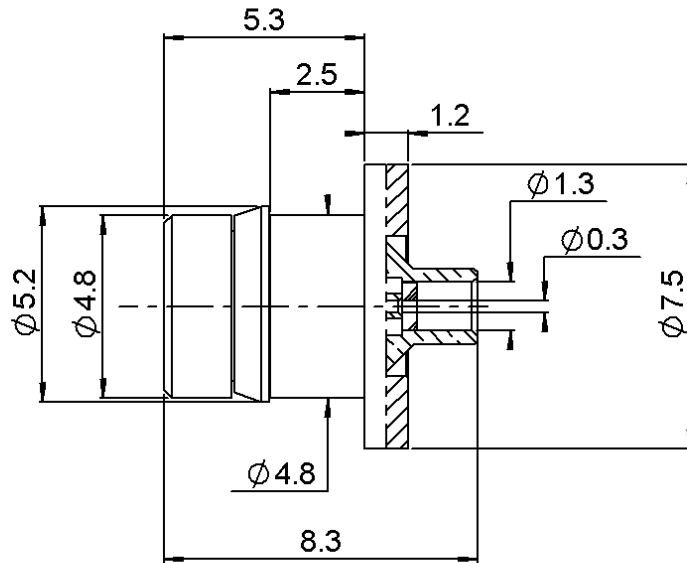


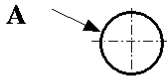
SNAP-IN STRAIGHT MALE JACK
SMOOTH BORE SOLDER TYPE CABLE .047

R222.221.702

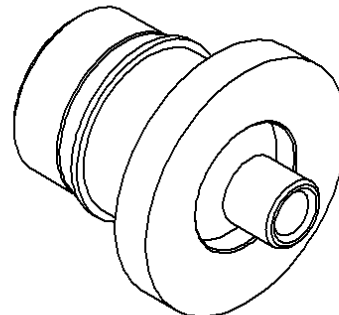
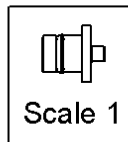
Series : SMP



PANEL CUT OUT



| | | mm | |
|---|--|------|------|
| | | Maxi | mini |
| A | | 4.95 | 4.9 |



All dimensions are in mm.



| COMPONENTS | MATERIALS | PLATINGS (µm) |
|----------------|-------------------------|-----------------------------------|
| BODY | STAINLESS STEEL + BRASS | PASSIVATED + GOLD1.3 OVER NICKEL2 |
| CENTER CONTACT | BERYLLIUM COPPER | GOLD 1.27 OVER NICKEL 1.27 |
| OUTER CONTACT | - | - |
| INSULATOR | PTFE | - |
| GASKET | - | - |
| OTHERS PARTS | BERYLLIUM COPPER | BBR 2 |
| - | - | - |
| - | - | - |

Issue : 0745 B

In the effort to improve our products, we reserve the right to make changes judged to be necessary.



SNAP-IN STRAIGHT MALE JACK

R222.221.702

SMOOTH BORE SOLDER TYPE CABLE .047

Series : SMP

PACKAGING

| Standard | Unit | Other |
|------------|-------------------|-------------------|
| 100 | 'W' option | Contact us |

SPECIFICATION

ELECTRICAL CHARACTERISTICS

| | | | |
|---------------------------------|---------------|---------------|--------------------------|
| Impedance | | 50 | Ω |
| Frequency | | 0-40 | GHz |
| VSWR | 1.50 + | 0,0000 | x F(GHz) Maxi |
| Insertion loss | | 0.12 | \sqrt{F} (GHz) dB Maxi |
| RF leakage | - (| | - F(GHz)) dB Maxi |
| Voltage rating | | 335 | Veff Maxi |
| Dielectric withstanding voltage | | 500 | Veff mini |
| Insulation resistance | | 5000 | M Ω mini |

CABLE ASSEMBLY

| Stripping | a | b | c | d | e | f |
|-----------|------|------|------|------|------|------|
| mm | 1,30 | 0,00 | 0,00 | 0,00 | 0,00 | 0,00 |

Assembly instruction :

Recommended cable(s)
UT47 M17/151-00001

MECHANICAL CHARACTERISTICS

| | | | |
|----------------------------|--|-----------|-----------|
| Center contact retention | | | |
| Axial force – Mating end | | NA | N mini |
| Axial force – Opposite end | | NA | N mini |
| Torque | | NA | N.cm mini |

Characteristics indicated on this data sheet are those that can be achieved with the highest performance cable. Intrinsic limitations of the cable may diminish the performance of the assembly

Cable retention

| | | | |
|------------|--|-----------|--------|
| - pull off | | 45 | N mini |
| - torque | | NA | N.cm |

TOOLING

| | | | |
|--------------------|--|---------------|-------------|
| Recommended torque | | | |
| Mating | | NA | N.cm |
| Panel nut | | NA | N.cm |
| Clamp nut | | NA | N.cm |
| A/F clamp nut | | 0,0000 | mm |
| Mating life | | 1000 | Cycles mini |
| Weight | | 0,9230 | g |

| Part Number | Description | Hexagon |
|--------------|------------------------------|---------|
| . | . | . |
| R282.740.030 | SOLDERING MOUNTING | |
| R282.743.100 | POSITIONER FOR SOLDERING SMP | |
| R282.744.254 | POSITIONER FOR SOLDERING SMP | |

ENVIRONMENTAL

| | | | |
|-----------------------|--|-----------------|--------------|
| Operating temperature | | -65/+165 | $^{\circ}$ C |
| Hermetic seal | | NA | Atm.cm3/s |
| Panel leakage | | NA | |

OTHERS CHARACTERISTICS

RF Leakage -80dB DC-3 GHz
-65 3-26.5 GHz
Compliant with MIL-STD-348

Issue : 0745 B

In the effort to improve our products, we reserve the right to make changes judged to be necessary.

