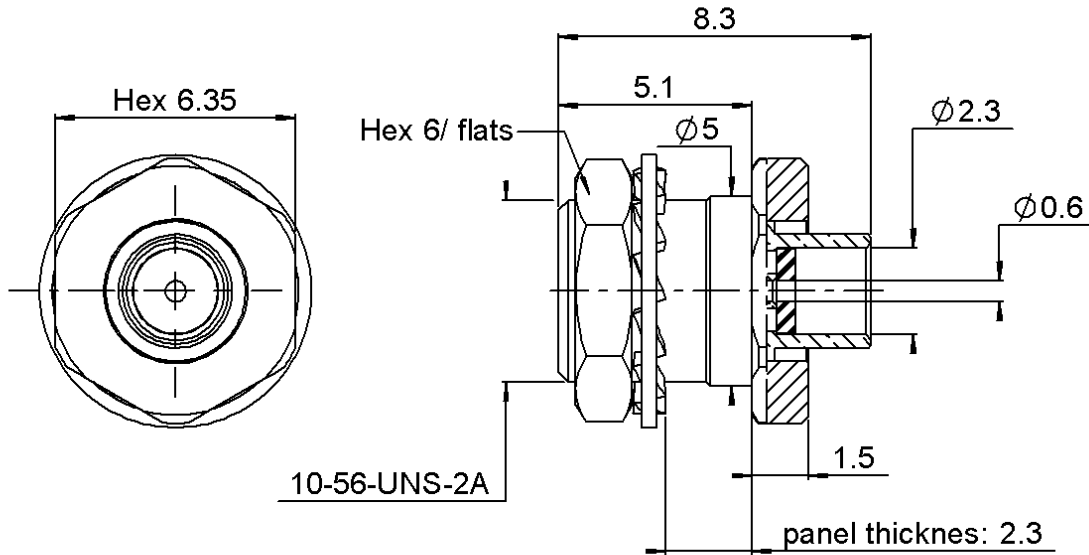
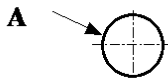


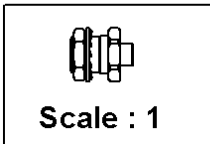
PAGE 1/3	ISSUE 1438C	SERIES SMP	PART NUMBER R222302702
----------	-------------	------------	------------------------



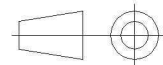
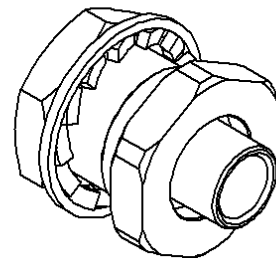
**PANEL CUT OUT**



A	mm	
	Maxi	mini
A	5.30	5.20



All dimensions are in mm.



COMPONENTS	MATERIALS	PLATING (µm)
Body	<b>STAINLESS STEEL + BRASS</b>	<b>PASSIVATED+GOLD1.3 OVER NICKEL2</b>
Center contact	<b>BERYLLIUM COPPER</b>	<b>GOLD 1.27 OVER NICKEL 1.27</b>
Outer contact	-	-
Insulator	<b>PTFE</b>	-
Gasket	-	-
Others parts	<b>BRASS</b>	<b>NICKEL 2</b>
-	-	-
-	-	-

PAGE <b>2/3</b>	ISSUE <b>1438C</b>	SERIES <b>SMP</b>	PART NUMBER <b>R222302702</b>
-----------------	--------------------	-------------------	-------------------------------

### PACKAGING

Standard	Unit	Other
<b>100</b>	<b>Contact us</b>	<b>Contact us</b>

### ELECTRICAL CHARACTERISTICS

Impedance	<b>50</b>	Ω
Frequency	<b>0-40</b>	GHz
VSWR	<b>1.50 + 0,0000</b>	x F(GHz) Maxi
Insertion loss	<b>0.12</b>	√F(GHz) dB Maxi
RF leakage	- (	- F(GHz)) dB Maxi
Voltage rating	<b>335</b>	Veff Maxi
Dielectric withstanding voltage	<b>500</b>	Veff mini
Insulation resistance	<b>5000</b>	MΩ mini

### MECHANICAL CHARACTERISTICS

Center contact retention		
Axial force – Mating End	<b>NA</b>	N mini
Axial force – Opposite end	<b>NA</b>	N mini
Torque	<b>NA</b>	N.cm mini
Recommended torque		
Mating	<b>NA</b>	N.cm
Panel nut	<b>60</b>	N.cm
Clamp nut	<b>NA</b>	N.cm
A/F clamp nut	<b>0,0000</b>	mm
Mating life	<b>1000</b>	Cycles mini
Weight	<b>1,1300</b>	g

### ENVIRONMENTAL

Operating temperature	<b>-65/+165</b>	°C
Hermetic seal	<b>NA</b>	Atm.cm3/s
Panel leakage	<b>NA</b>	

### SPECIFICATION

### CABLE ASSEMBLY

Stripping	a	b	c	d	e	f
mm	<b>1,3</b>	<b>0</b>	<b>0</b>	<b>0</b>	<b>0</b>	<b>0</b>

Assembly instruction:

Recommended cable(s)

**RG 405**  
**KS 1**

Characteristics indicated on this data sheet are those that can be achieved with the highest performance cable. Intrinsic limitations of the cable may diminish the performance of the assembly

Cable retention

- pull off	<b>200</b>	N mini
- torque	<b>NA</b>	N.cm

### TOOLING

Part Number	Description	Hexagon
R282051000	STRIPPING TOOL	
R282062010	POINTER GAUGE	
R282743100	POSITIONER FOR SOLDERING SMP	
R282744254	POSITIONER FOR SOLDERING SMP	
R282862120	SOLDER GAUGE THCK 1.83	
R282740000	SOLDERING MOUNTING	

### OTHER CHARACTERISTICS

**RF leakage-80dB DC-3GHz**  
**-65dB 3-26.5 GHz**  
**Compliant with MIL-STD-348**