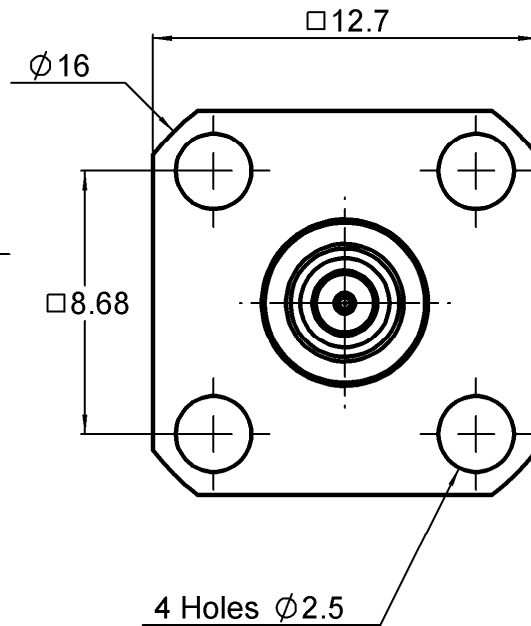
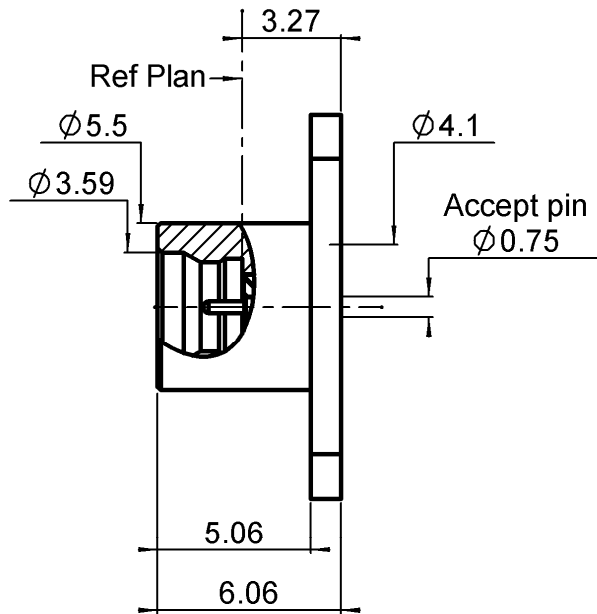


4 HOLES FLANGE JACK RECEPTACLE

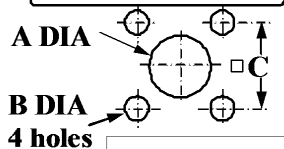
R222.411.001

FULL DETENT

Series : SMP

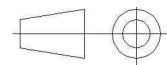
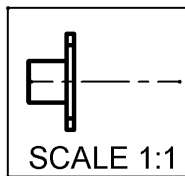
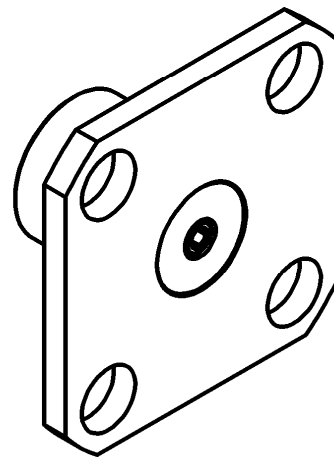


PANEL CUT OUT



* A Dia depends of the customer dielectric material to have 50 ohms

	mm	
	Maxi	mini
A	*	*
B	2.70	2.60
C	8.73	8.63



All dimensions are in mm.

COMPONENTS	MATERIALS	PLATING (µm)
BODY	STAINLESS STEEL	PASSIVATED
CENTER CONTACT	BERYLLIUM COPPER	GOLD 1.27 OVER NICKEL 1.27
OUTER CONTACT	-	-
INSULATOR	PTFE	-
GASKET	-	-
OTHERS PARTS	-	-
-	-	-
-	-	-

Issue : 1240 A

In the effort to improve our products, we reserve the right to make changes judged to be necessary.



4 HOLES FLANGE JACK RECEPTACLE

R222.411.001

FULL DETENT

Series : SMP

PACKAGING

SPECIFICATION

Standard	Unit	Other
100	'W' option	Contact us

ELECTRICAL CHARACTERISTICS

ENVIRONMENTAL

Impedance	50	Ω
Frequency	0-12	GHz
VSWR	1.2* + 0,0000	x F(GHz) Maxi
Insertion loss	0.1	$\sqrt{F}(\text{GHz})$ dB Maxi
RF leakage	NA	- F(GHz)) dB Maxi
Voltage rating	335	Veff Maxi
Dielectric withstanding voltage	500	Veff mini
Insulation resistance	5000	M Ω mini

Operating temperature	-65/+165	$^{\circ}\text{C}$
Hermetic seal	NA	Atm.cm3/s
Panel leakage	NA	

OTHER CHARACTERISTICS

Assembly instruction

Others :

*Coaxial transmission line only

MECHANICAL CHARACTERISTICS

Center contact retention		
Axial force – Mating end	6.8	N mini
Axial force – Opposite end	6.8	N mini
Torque	NA	N.cm mini
Recommended torque		
Mating	NA	N.cm
Panel nut	NA	N.cm
Mating life	100	Cycles mini
Weight	1,6200	g

Issue : 1240 A

In the effort to improve our products, we reserve the right to make changes judged to be necessary.

RADIALL 