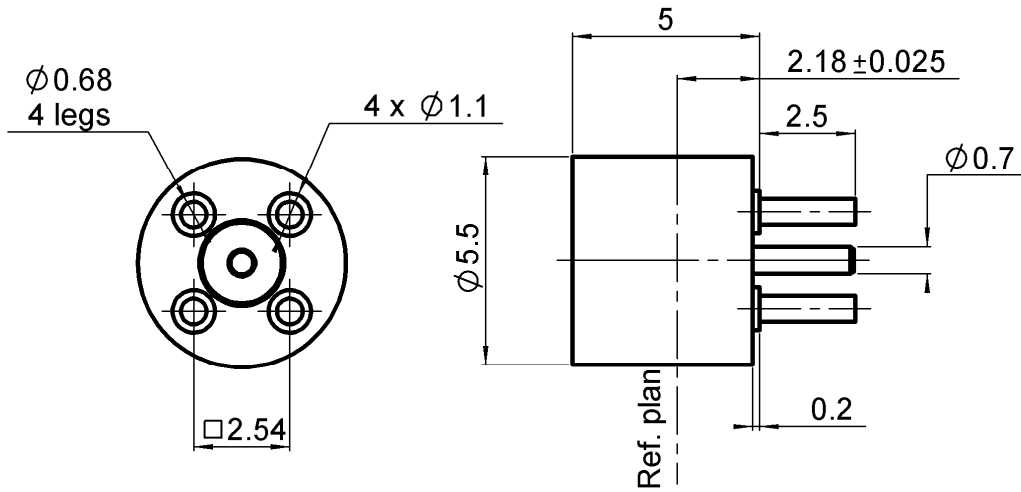


MALE STRAIGHT RECEPTACLE FOR PCB

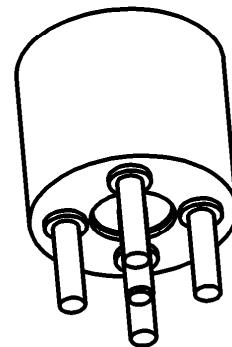
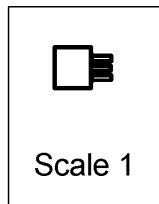
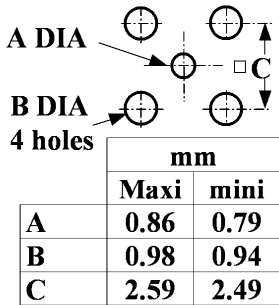
R222.426.300

SOLDER LEGS - LIMITED DETENT

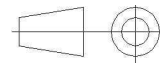
Series : SMP



PANEL CUT OUT



All dimensions are in mm.



COMPONENTS	MATERIALS	PLATINGS (μm)
BODY	STAINLESS STEEL	GOLD 0.5 OVER NICKEL 2
CENTER CONTACT	BERYLLIUM COPPER	GOLD 1.27 OVER NICKEL 1.27
OUTER CONTACT		
INSULATOR	PTFE	
GASKET		
OTHERS PARTS		
-	-	-
-	-	-

Issue : 0951 B

In the effort to improve our products, we reserve the right to make changes judged to be necessary.



MALE STRAIGHT RECEPTACLE FOR PCB

R222.426.300

SOLDER LEGS - LIMITED DETENT

Series : SMP

PACKAGING

SPECIFICATION

Standard	Unit	Other
100	'W' option	Contact us

ELECTRICAL CHARACTERISTICS

ENVIRONMENTAL

Impedance		50 Ω
Frequency		0-12 GHz
VSWR	1.12* +	0,0000 x F(GHz) Maxi
Insertion loss		0.12* √F(GHz) dB Maxi
RF leakage	- (- F(GHz)) dB Maxi
Voltage rating		335 Veff Maxi
Dielectric withstanding voltage		500 Veff mini
Insulation resistance		5000 MΩ mini

Operating temperature	-65/+165 ° C
Hermetic seal	NA Atm.cm3/s
Panel leakage	NA

OTHERS CHARACTERISTICS

Assembly instruction

Others :

*Coaxial Transmission Line Only

MECHANICAL CHARACTERISTICS

Center contact retention		
Axial force – Mating end		6.8 N mini
Axial force – Opposite end		NA N mini
Torque		NA N.cm mini
Recommended torque		
Mating		NA N.cm
Panel nut		NA N.cm
Mating life		500 Cycles mini
Weight		0,7150 g

Issue : 0951 B

In the effort to improve our products, we reserve the right to make changes judged to be necessary.

