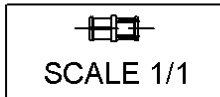
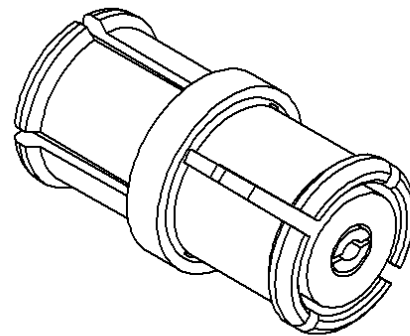
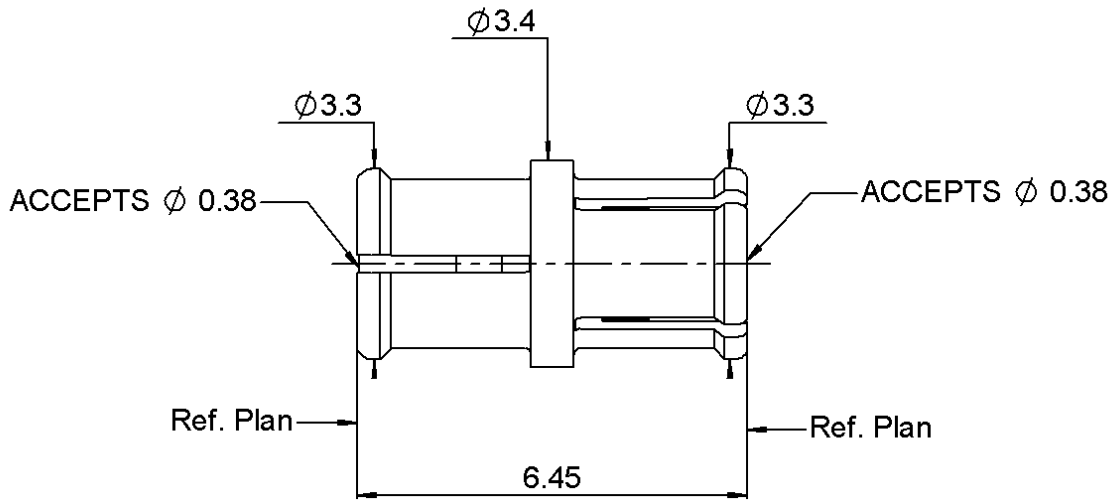


FEMALE-FEMALE ADAPTER

R222.705.000

Series : SMP



All dimensions are in mm.



| COMPONENTS | MATERIALS | PLATINGS (µm) |
|----------------|------------------|----------------------------|
| BODY | BERYLLIUM COPPER | GOLD 1.3 OVER NICKEL 2 |
| CENTER CONTACT | BERYLLIUM COPPER | GOLD 1.27 OVER NICKEL 1.27 |
| OUTER CONTACT | - | - |
| INSULATOR | PTFE | - |
| GASKET | - | - |
| OTHERS PARTS | - | - |
| - | - | - |
| - | - | - |

Issue : 0529 B

In the effort to improve our products, we reserve the right to make changes judged to be necessary.



FEMALE-FEMALE ADAPTER

R222.705.000

Series : SMP

PACKAGING

SPECIFICATION

| Standard | Unit | Other |
|------------|-------------------|-------------------|
| 100 | 'W' option | Contact us |

ELECTRICAL CHARACTERISTICS

ENVIRONMENTAL

| | | |
|---------------------------------|---------------------|--------------------------|
| Impedance | 50 | Ω |
| Frequency | 0-40 | GHz |
| VSWR | 1.5 + 0,0000 | x F(GHz) Maxi |
| Insertion loss | 0.12 | \sqrt{F} (GHz) dB Maxi |
| RF leakage | - (NA) | - F(GHz) dB Maxi |
| Voltage rating | 335 | Veff Maxi |
| Dielectric withstanding voltage | 500 | Veff mini |
| Insulation resistance | 5000 | M Ω mini |

| | | |
|-----------------------|-----------------|--------------|
| Operating temperature | -65/+165 | $^{\circ}$ C |
| Hermetic seal | NA | Atm.cm3/s |
| Panel leakage | NA | |

OTHERS CHARACTERISTICS

Assembly instruction

Others :
Compliant with MIL-STD-348

MECHANICAL CHARACTERISTICS

| | | |
|----------------------------|---------------|-------------|
| Center contact retention | | |
| Axial force – Mating end | 6.7 | N mini |
| Axial force – Opposite end | 6.7 | N mini |
| Torque | NA | N.cm mini |
| Recommended torque | | |
| Mating | NA | N.cm |
| Panel nut | NA | N.cm |
| Mating life | 100 | Cycles mini |
| Weight | 0,1690 | g |

Issue : 0529 B

In the effort to improve our products, we reserve the right to make changes judged to be necessary.

