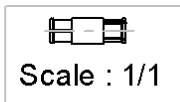
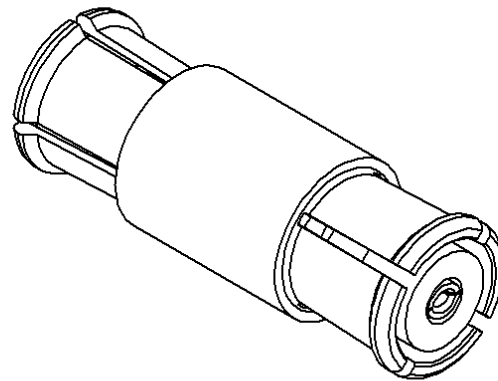
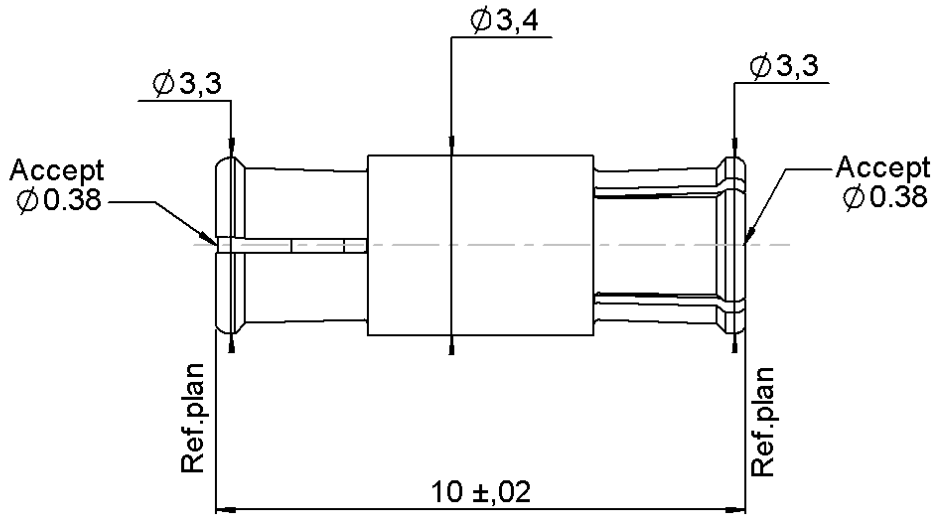
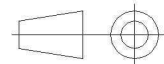


PAGE 1/2	ISSUE 1417A	SERIES <b>SMP</b>	PART NUMBER <b>R222705239</b>
----------	-------------	-------------------	-------------------------------



All dimensions are in mm.



COMPONENTS	MATERIALS	PLATING:( $\mu\text{m}$ )
Body	<b>BERYLIUM COPPER</b>	<b>GOLD 1.3 OVER NICKEL2</b>
Center contact	<b>BERYLIUM COPPER</b>	<b>GOLD 1.27 OVER NICKEL 1:27</b>
Outer contact	-	-
Insulator	<b>PTFE</b>	-
Gasket	-	-
Others parts	-	-
-	-	-
-	-	-

PAGE 2/2	ISSUE 1417A	SERIES SMP	PART NUMBER R222705239
----------	-------------	------------	------------------------

**PACKAGING**

Standard	Unit	Other
100	Contact us	Contact us

**ELECTRICAL CHARACTERISTICS**

Impedance		<b>50</b>	Ω
Frequency		<b>0-40</b>	GHz
VSWR	<b>1.5</b>	<b>+</b>	<b>0,0000</b> x F(GHz) Maxi
Insertion loss		<b>0.12</b>	√F(GHz) dB Maxi
RF leakage	- (	<b>NA</b>	- F(GHz)) dB Maxi
Voltage rating		<b>335</b>	Veff Maxi
Dielectric withstanding voltage		<b>500</b>	Veff mini
Insulation resistance		<b>5000</b>	MΩ mini

**ENVIRONMENTAL**

Operating temperature	<b>-65/+165</b>	°C
Hermetic seal	<b>NA</b>	Atm.cm3/s
Panel leakage	<b>NA</b>	

**MECHANICAL CHARACTERISTICS**

Center contact retention			
Axial force – Mating End	<b>6.7</b>		N mini
Axial force – Opposite end	<b>6.7</b>		N mini
Torque	<b>NA</b>		N.cm mini
Recommended torque			
Mating	<b>NA</b>		N.cm
Panel nut	<b>NA</b>		N.cm
Mating life	<b>100</b>		Cycles mini
Weight	<b>0,3730</b>		g

**SPECIFICATION**

**OTHER CHARACTERISTICS**

Assembly instruction:

Others:

**Compliant with MIL-STD-348**