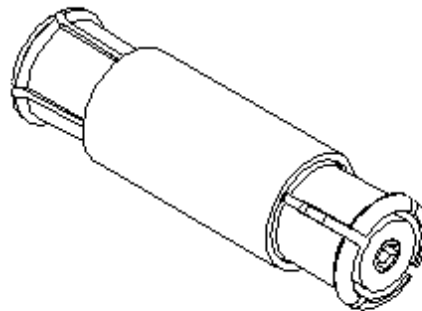
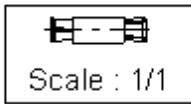
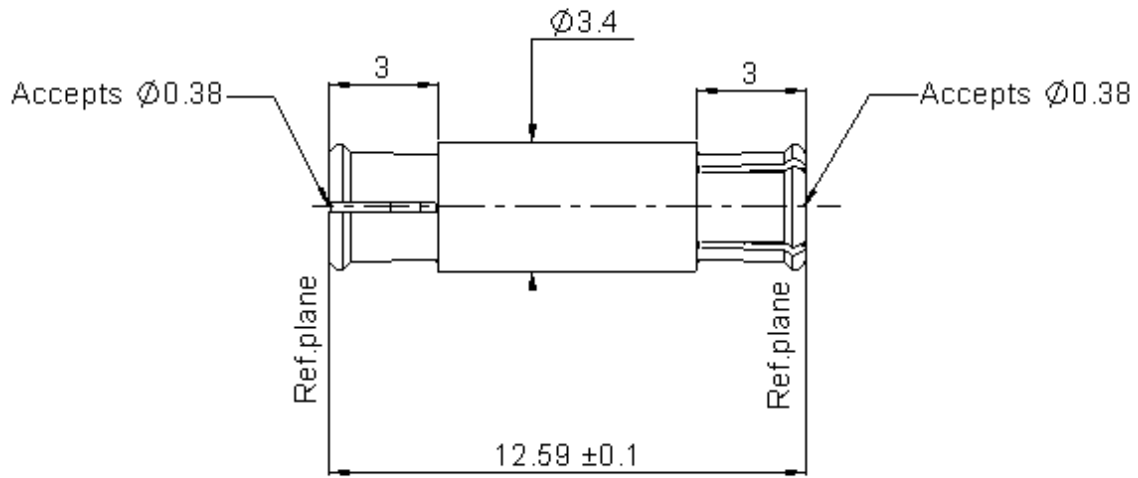


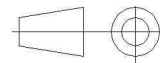
FEMALE-FEMALE ADAPTER

R222.705.250

Series : SMP



All dimensions are in mm.



COMPONENTS	MATERIALS	PLATING (μm)
BODY	BERYLLIUM COPPER	NPGR
CENTER CONTACT	BERYLLIUM COPPER	NPGR
OUTER CONTACT		
INSULATOR	PTFE	
GASKET		
OTHERS PARTS		
-	-	-
-	-	-

Issue : 0735 A

In the effort to improve our products, we reserve the right to make changes judged to be necessary.



FEMALE-FEMALE ADAPTER

R222.705.250

Series : SMP

PACKAGING

SPECIFICATION

Standard	Unit	Other
500	'W' option	Contact us

ELECTRICAL CHARACTERISTICS

ENVIRONMENTAL

Impedance	50	Ω
Frequency	0-40	GHz
VSWR	1.2 + 0,0000	x F(GHz) Maxi
Insertion loss	0.12	\sqrt{F} (GHz) dB Maxi
RF leakage	NA	- F(GHz)) dB Maxi
Voltage rating	335	Veff Maxi
Dielectric withstanding voltage	500	Veff mini
Insulation resistance	5000	M Ω mini
Contact Current	1.2	A

Operating temperature	-65/+165	$^{\circ}$ C
Hermetic seal	NA	Atm.cm3/s
Panel leakage	NA	

OTHER CHARACTERISTICS

Assembly instruction **NA**

Others :

VSWR (0 to 12GHz)
 VSWR 1.3 (12 to 26.5 GHz)
 VSWR 1.5 (26.5 to 40 GHz)

**Mating cycles
 - smooth bore **1000** cycles mini
 - limited detent **500** cycles mini
 - full detent **100** cycles mini

Compliant with MIL-STD-348

Compliant with RoHS

MECHANICAL CHARACTERISTICS

Center contact retention		
Axial force – Mating end	6.8	N mini
Axial force – Opposite end	6.8	N mini
Torque	NA	N.cm mini
Recommended torque		
Mating	NA	N.cm
Panel nut	NA	N.cm
Mating life	100**	Cycles mini
Weight	0,5200	g
Engagement force		
- smooth bore	9	N max
- limited detent	45	N max
- full detent	68	N max
Disengagement force		
- smooth bore	2.2	N min
- limited detent	9	N min
- full detent	22	N min

Issue : 0735 A

In the effort to improve our products, we reserve the right to make changes judged to be necessary.

