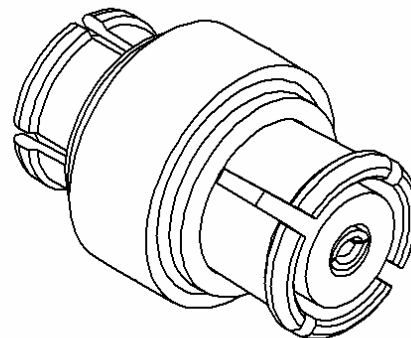
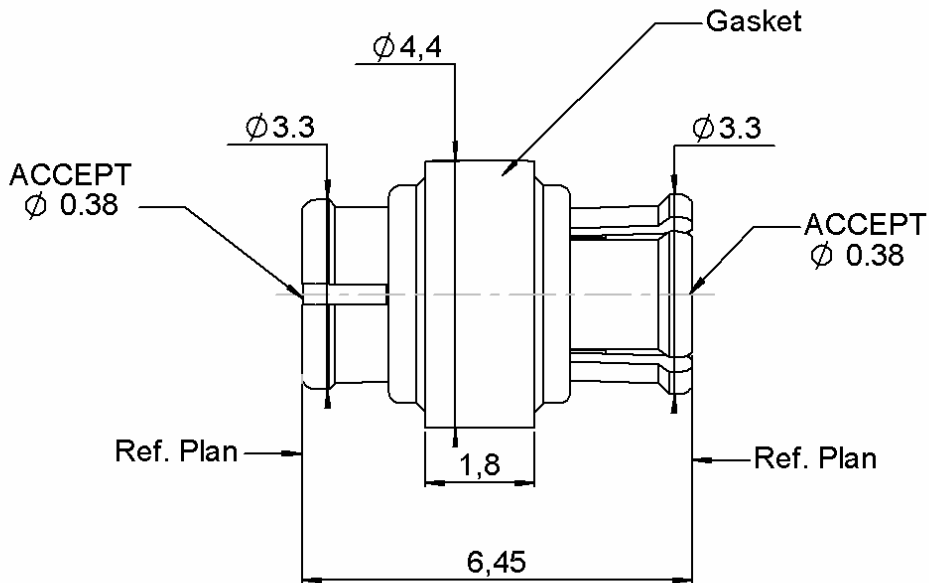


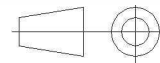
ADAPTOR FEMALE - FEMALE SEALED

R222.705.400

Series : SMP



All dimensions are in mm.



COMPONENTS	MATERIALS	PLATING (µm)
BODY	BERYLLIUM COPPER	GOLD 1.3 OVER NICKEL2
CENTER CONTACT	BERYLLIUM COPPER	GOLD 1.27 OVER NICKEL 1.27
OUTER CONTACT	-	-
INSULATOR	PTFE	-
GASKET	SILICONE RUBBER	-
OTHERS PARTS	-	-
-	-	-
-	-	-

Issue : 1126 B

In the effort to improve our products, we reserve the right to make changes judged to be necessary.



ADAPTOR FEMALE - FEMALE SEALED

R222.705.400

Series : SMP

PACKAGING

SPECIFICATION

Standard	Unit	Other
100	'W' option	Contact us

ELECTRICAL CHARACTERISTICS

ENVIRONMENTAL

Impedance	50	Ω
Frequency	0-40	GHz
VSWR	1.10	DC to 23GHz
	1.15	23 to 26.5GHz
	1.70	26.5 to 40 GHz
Insertion loss	0.10	$\sqrt{F}(\text{GHz})$ dB Maxi
RF leakage	- (NA)	- F(GHz)) dB Maxi
Voltage rating	335	Veff Maxi
Dielectric withstanding voltage	500	Veff mini
Insulation resistance	5000	M Ω mini

Operating temperature	-65/+165	$^{\circ}\text{C}$
Hermetic seal		Atm.cm3/s
Panel leakage		
IP54		

OTHER CHARACTERISTICS

Assembly instruction

Others :
Compliant with MIL-STD-348
Max phase variation between products
@ 12GHz: 4.5 $^{\circ}$

MECHANICAL CHARACTERISTICS

Center contact retention		
Axial force – Mating end	6.7	N mini
Axial force – Opposite end	6.7	N mini
Torque	NA	N.cm mini
Recommended torque		
Mating	NA	N.cm
Panel nut	NA	N.cm
Mating life	100	Cycles mini
Weight	0,1820	g

Issue : 1126 B

In the effort to improve our products, we reserve the right to make changes judged to be necessary.

