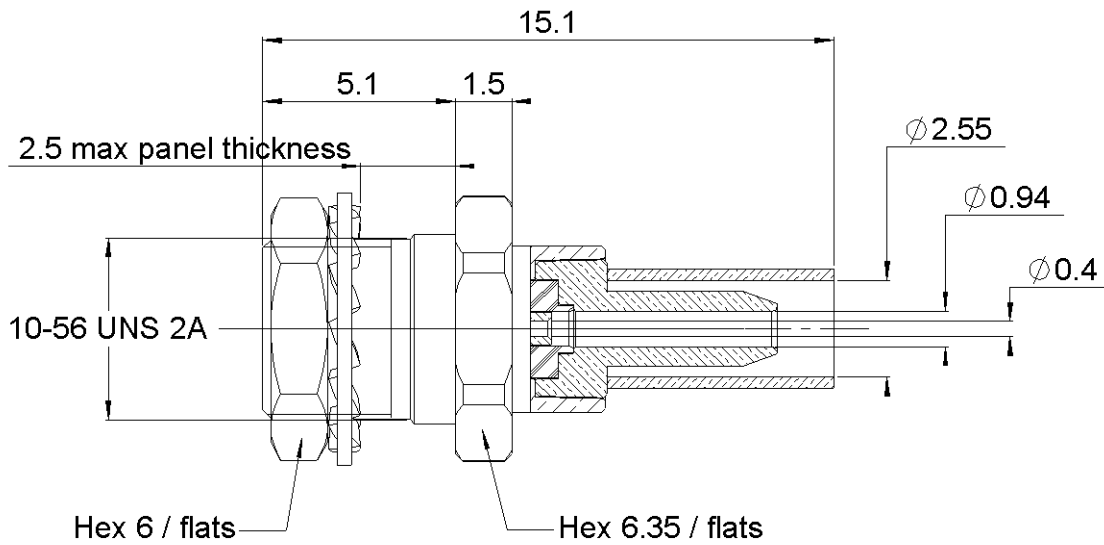


**STRAIGHT BULKHEAD JACK CRIMP TYPE**

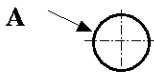
**R222.920.300**

**CAB 2/50S LIMITED DETENT**

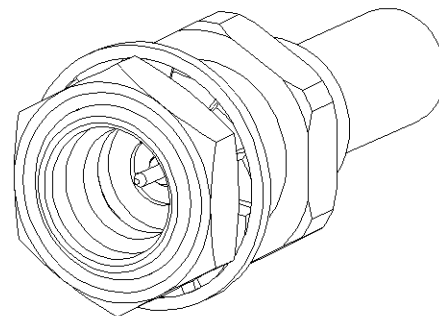
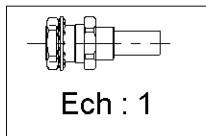
Series : SMP-COM



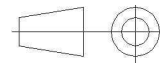
**PANEL CUT OUT**



mm		
	Maxi	mini
A	5.3	5.2



All dimensions are in mm.



COMPONENTS	MATERIALS	PLATING (µm)
BODY	BRASS	NPGR
CENTER CONTACT	BRASS	NPGR
OUTER CONTACT	-	-
INSULATOR	PTFE	-
GASKET	-	-
OTHERS PARTS	BRASS	OR 0.2 SUR NICKEL 2
-	-	-
-	-	-

Issue : 0850 A

In the effort to improve our products, we reserve the right to make changes judged to be necessary.



**STRAIGHT BULKHEAD JACK CRIMP TYPE**

**R222.920.300**

**CAB 2/50S LIMITED DETENT**

Series : **SMP-COM**

**PACKAGING**

Standard	Unit	Other
<b>100</b>	<b>'W' option</b>	<b>Contact us</b>

**SPECIFICATION**

**ELECTRICAL CHARACTERISTICS**

Impedance	<b>50</b>	$\Omega$
Frequency	<b>0-12.4*</b>	GHz
VSWR	<b>1.15** + 0,0000</b>	x F(GHz) Maxi
Insertion loss	<b>0.12</b>	$\sqrt{F}$ (GHz) dB Maxi
RF leakage	<b>- ( 55***</b>	- F(GHz)) dB Maxi
Voltage rating	<b>250</b>	Veff Maxi
Dielectric withstanding voltage	<b>750</b>	Veff mini
Insulation resistance	<b>5000</b>	M $\Omega$ mini

**CABLE ASSEMBLY**

Stripping	a	b	c	d	e	f
mm	2,50	5,00	9,00	0,00	6,50	0,00

Assembly instruction : **Crimp 02**

Recommended cable(s)  
RG 196  
RG 178

Characteristics indicated on this data sheet are those that can be achieved with the highest performance cable. Intrinsic limitations of the cable may diminish the performance of the assembly

Cable retention

- pull off **35** N mini  
- torque N.cm

**MECHANICAL CHARACTERISTICS**

Center contact retention		
Axial force – Mating end	<b>6.8</b>	N mini
Axial force – Opposite end	<b>6.8</b>	N mini
Torque		N.cm mini

**TOOLING**

Part Number	Description	Hexagon
.	.	.
R282.211.000	CRIMPING TOOL	2.67
R282.235.003	CRIMPING DIES M22520/5-03	2.67
R282.281.000	CRIMPING TOOL	2x4 pts (pos 2)
R282.293.000	CRIMPING TOOL M22520/5-01	-
R282.967.090	POSITIONER FOR CRIMPING TOOL	-

Recommended torque		
Mating		N.cm
Panel nut	<b>50</b>	N.cm
Clamp nut		N.cm
A/F clamp nut	<b>0,0000</b>	mm
Mating life	<b>100</b>	Cycles mini
Weight	<b>1,4200</b>	g

**ENVIRONMENTAL**

Operating temperature	<b>-55/+125</b>	$^{\circ}$ C
Hermetic seal		Atm.cm3/s
Panel leakage		

**OTHER CHARACTERISTICS**

\*ROS : 1.35 at 12.4GHz  
\*\*ROS at 6GHz  
\*\*\*Rf Leakage : -40dB min 3<F<6GHz

Issue : **0850 A**

In the effort to improve our products, we reserve the right to make changes judged to be necessary.

