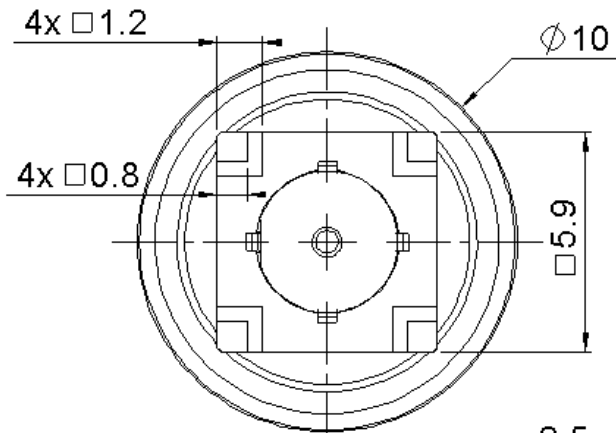
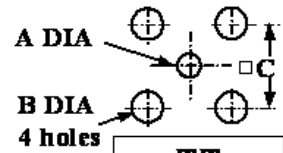


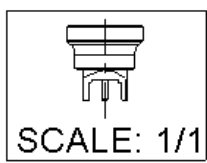
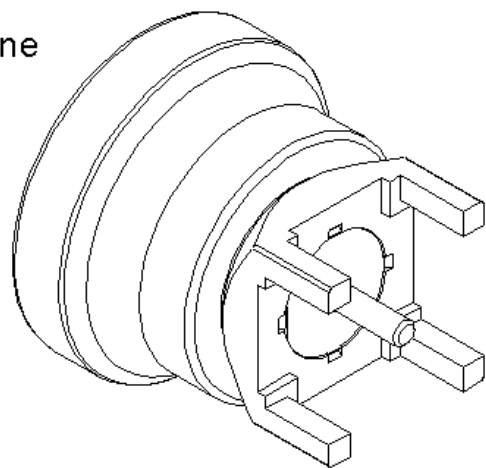
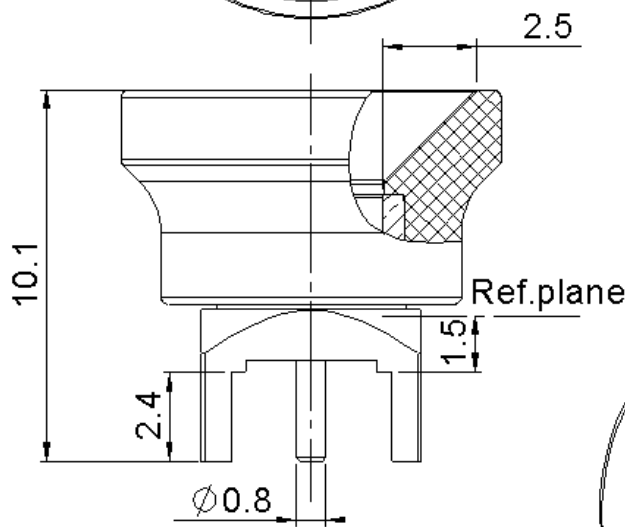
PAGE 1/2	ISSUE 1409A	SERIES SMP-MAX	PART NUMBER R222M03880
----------	-------------	----------------	------------------------



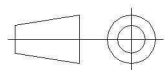
PANEL CUT OUT



	mm	
	Maxi	mini
A	1.2	1.1
B	1.4	1.3
C	5.13	5.03



All dimensions are in mm.



COMPONENTS	MATERIALS	PLATING (µm)
Body	PA 10T 30%GF Color BLACK	-
Center contact	BRASS	NPGR
Outer contact	BRASS	NPGR
Insulator	PEEK / LCP / PTFE	-
Gasket	-	-
Others parts	PEEK / LCP / PTFE	-
-	-	-
-	-	-

PAGE 2/2	ISSUE 1409A	SERIES SMP-MAX	PART NUMBER R222M03880
----------	-------------	----------------	------------------------

PACKAGING

Standard	Unit	Other
100	'W' option	Contact us

ELECTRICAL CHARACTERISTICS

Impedance		50	Ω
Frequency		0-6	GHz
VSWR	1.25* +	0.0000	x F(GHz) Maxi
Insertion loss		0.15	√F(GHz) dB Maxi
RF leakage	- (NA	- F(GHz)) dB Maxi
Voltage rating		335	Veff Maxi
Dielectric withstanding voltage		1000	Veff mini
Insulation resistance		5000	MΩ mini

ENVIRONMENTAL

Operating temperature	-55/+165	°C
Hermetic seal	NA	Atm.cm3/s
Panel leakage	NA	

MECHANICAL CHARACTERISTICS

Center contact retention			
Axial force – Mating End		7	N mini
Axial force – Opposite end		7	N mini
Torque		NA	N.cm mini

SPECIFICATION

OTHER CHARACTERISTICS

Recommended torque			
Mating		NA	N.cm
Panel nut		NA	N.cm

Assembly instruction: **NA**

Mating life		100	Cycles mini
Weight		0.9150	g

Others:

***VSWR: up to 3GHz; 3-6GHz, 1.35 max**

***Coaxial Transmission Line Only**

***Slide type receptacles +Bullet (Adapter) +Snap type receptacle**

Typical VSWR (Board to Board connection): 0-3GHz, 1.2max

Power handling (typical):

>300W@2.7GHz at 25°C; >200W@2.7GHz at 85°C

Radial working angle: 3°min.

Axial working range: 2.4mm