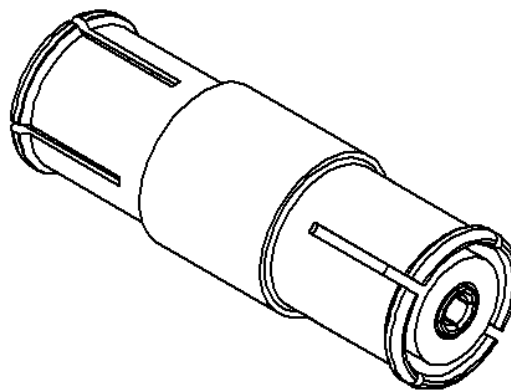
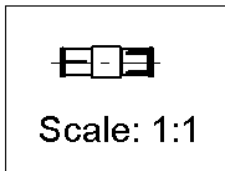
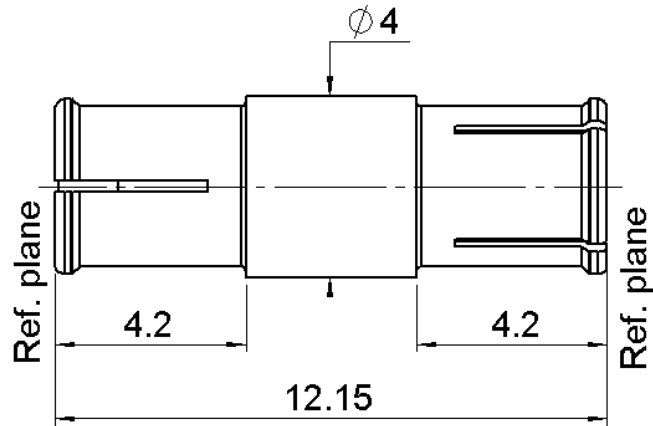
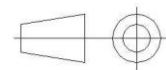


PAGE 1/3	ISSUE 08-11-16B	SERIES SMP-MAX	PART NUMBER R222M40060
----------	-----------------	----------------	------------------------



All dimensions are in mm.



COMPONENTS	MATERIALS	PLATING (μm)
Body	BERYLLIUM COPPER	NPGR
Center contact	BERYLLIUM COPPER	NPGR
Outer contact		
Insulator	PTFE	
Gasket		
Others parts		
-	-	-
-	-	-

PAGE 2/3	ISSUE 08-11-16B	SERIES SMP-MAX	PART NUMBER R222M40060
----------	------------------------	-----------------------	-------------------------------

PACKAGING

Standard	Unit	Other
100	Contact us	Contact us

ELECTRICAL CHARACTERISTICS

Impedance **50** Ω
 Frequency **0 - 10** GHz
 VSWR (max.) / Return Loss (max.)

DC - 2 GHz	2 - 4 GHz	4 - 6 GHz
1.07 / -30dB	1.12 / -27dB	1.14 / -24dB

Insertion loss **< 0.05*** √F(GHz) dB
 RF leakage - (**NA** - F(GHz)) dB
 Voltage rating **335** Veff Maxi
 Dielectric withstanding voltage **1000** Veff mini
 Insulation resistance **5000** MΩ mini

MECHANICAL CHARACTERISTICS

Center contact retention
 Axial force – Mating End **7** N mini
 Axial force – Opposite end **7** N mini
 Torque **NA** N.cm mini

Radiall working range **0.0000** mm
 Warning: To ensure a blind mate assembly, please check the pull-in range of the mating receptacle.

Recommended torque
 Mating **NA** N.cm
 Panel nut **NA** N.cm

Mating life **100** Cycles mini
 Weight **0.4300** g

ENVIRONMENTAL

Operating temperature **-55/+165** °C
 Hermetic seal **NA** Atm.cm3/s
 Panel leakage **NA**

SPECIFICATION

OTHER CHARACTERISTICS

Assembly instruction: **NA**

Others:
***Coaxial Transmission Line Only**
Radial working angle: 3°min
Axial working range : 2mm