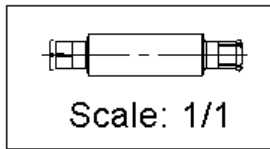
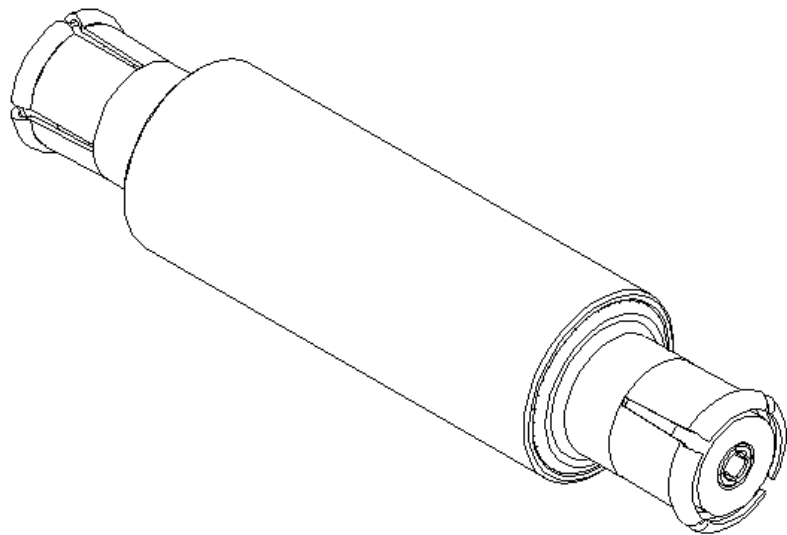
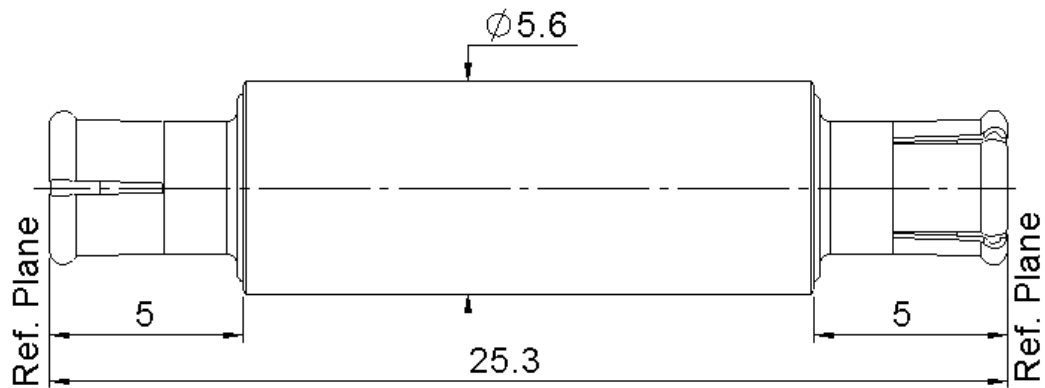
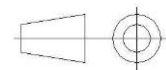


|          |                 |                       |                               |
|----------|-----------------|-----------------------|-------------------------------|
| PAGE 1/3 | ISSUE 21-12-17A | SERIES <b>SMP-MAX</b> | PART NUMBER <b>R222M43052</b> |
|----------|-----------------|-----------------------|-------------------------------|



All dimensions are in mm. Tolerances according ISO 2768 m-H



| COMPONENTS     | MATERIALS               | PLATING ( $\mu\text{m}$ ) |
|----------------|-------------------------|---------------------------|
| Body           | <b>BRASS</b>            | <b>BBR</b>                |
| Center contact | <b>BERYLLIUM COPPER</b> | <b>NPGR</b>               |
| Outer contact  | <b>BERYLLIUM COPPER</b> | <b>NPGR</b>               |
| Insulator      | <b>PTFE</b>             |                           |
| Gasket         | -                       | -                         |
| Others parts   | -                       | -                         |
| -              | -                       | -                         |
| -              | -                       | -                         |

|          |                        |                       |                               |
|----------|------------------------|-----------------------|-------------------------------|
| PAGE 2/3 | ISSUE <b>21-12-17A</b> | SERIES <b>SMP-MAX</b> | PART NUMBER <b>R222M43052</b> |
|----------|------------------------|-----------------------|-------------------------------|

**PACKAGING**

|            |                   |                   |
|------------|-------------------|-------------------|
| Standard   | Unit              | Other             |
| <b>100</b> | <b>Contact us</b> | <b>Contact us</b> |

**ELECTRICAL CHARACTERISTICS**

Impedance **50** Ω  
 Frequency **0 - 10** GHz  
 VSWR (max.) / Return Loss (max.)

|              |              |              |
|--------------|--------------|--------------|
| DC - 2 GHz   | 2 - 4 GHz    | 4 - 6 GHz    |
| 1.07 / -30dB | 1.12 / -27dB | 1.14 / -24dB |

Insertion loss **< 0.15\*** √F(GHz) dB  
 RF leakage - ( **NA** - F(GHz)) dB  
 Voltage rating **335** Veff Maxi  
 Dielectric withstanding voltage **1000** Veff mini  
 Insulation resistance **5000** MΩ mini

**MECHANICAL CHARACTERISTICS**

Center contact retention  
 Axial force – Mating End **7** N mini  
 Axial force – Opposite end **7** N mini  
 Torque **NA** N.cm mini

Radial working range **0.0000** mm  
 Warning: To ensure a blind mate assembly, please check the pull-in range of the mating receptacle.

Recommended torque  
 Mating **NA** N.cm  
 Panel nut **NA** N.cm

Mating life **100** Cycles mini  
 Weight **2.0260** g

**ENVIRONMENTAL**

Operating temperature **-55/+165** °C  
 Hermetic seal **NA** Atm.cm3/s  
 Panel leakage **NA**

**SPECIFICATION**

**OTHER CHARACTERISTICS**

Assembly instruction: **NA**

Others:  
 \*Coaxial Transmission Line Only  
 Axial working range : 2.4mm (special receptacle for axial misalignment +/-1.2)