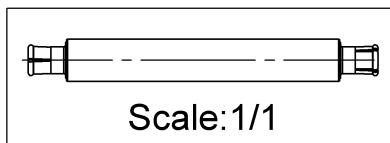
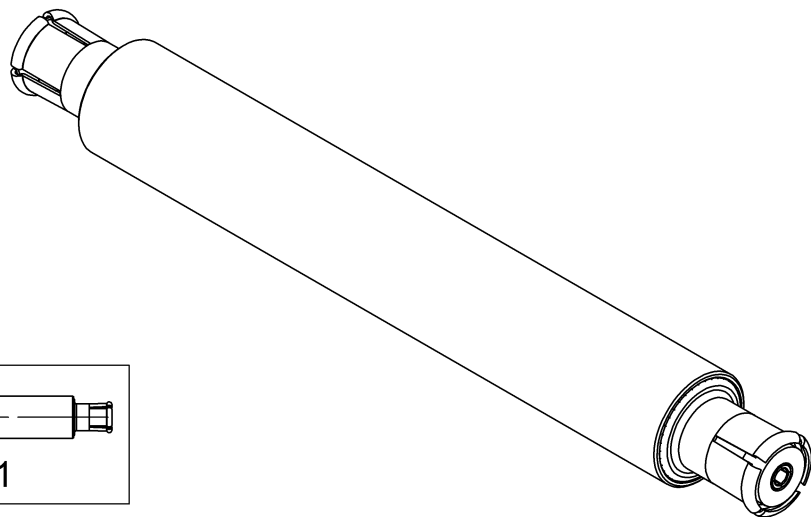
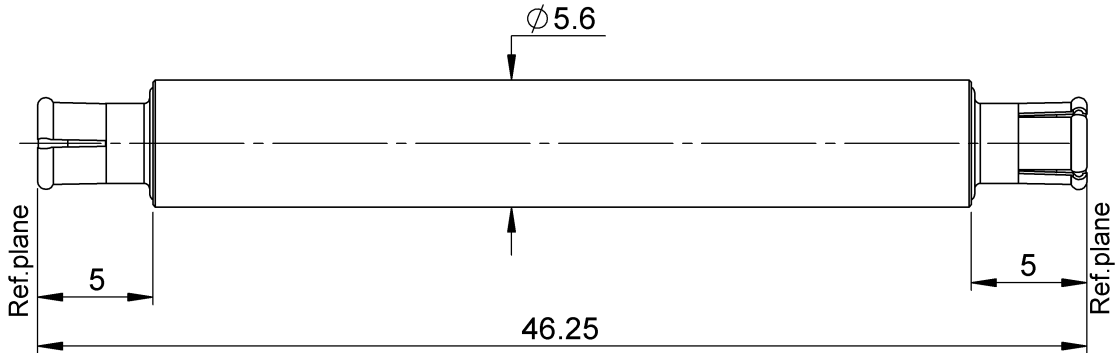
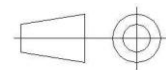


| | | | |
|----------|-----------------|----------------|------------------------|
| PAGE 1/3 | ISSUE 08-11-16A | SERIES SMP-MAX | PART NUMBER R222M43212 |
|----------|-----------------|----------------|------------------------|



All dimensions are in mm.



| COMPONENTS | MATERIALS | PLATING (μm) |
|----------------|-------------------------|---------------------------|
| Body | BRASS | BBR |
| Center contact | BERYLLIUM COPPER | NPGR |
| Outer contact | BERRYLIUM COPPER | NPGR |
| Insulator | PTFE | |
| Gasket | | |
| Others parts | | |
| - | - | - |
| - | - | - |

| | | | |
|----------|------------------------|-----------------------|-------------------------------|
| PAGE 2/3 | ISSUE 08-11-16A | SERIES SMP-MAX | PART NUMBER R222M43212 |
|----------|------------------------|-----------------------|-------------------------------|

PACKAGING

| | | |
|------------|-------------------|-------------------|
| Standard | Unit | Other |
| 100 | Contact us | Contact us |

ELECTRICAL CHARACTERISTICS

Impedance **50** Ω
 Frequency **0 - 10** GHz
 VSWR (max.) / Return Loss (max.)

| | | |
|--------------|--------------|--------------|
| DC - 2 GHz | 2 – 4 GHz | 4 – 6 GHz |
| 1.07 / -30dB | 1.12 / -27dB | 1.14 / -24dB |

Insertion loss **< 0.05*** √F(GHz) dB
 RF leakage - (**NA** - F(GHz)) dB
 Voltage rating **335** Veff Maxi
 Dielectric withstanding voltage **1000** Veff mini
 Insulation resistance **5000** MΩ mini

MECHANICAL CHARACTERISTICS

Center contact retention
 Axial force – Mating End **7** N mini
 Axial force – Opposite end **7** N mini
 Torque **NA** N.cm mini

Radiall working range **0.0000** mm
 Warning: To ensure a blind mate assembly, please check the pull-in range of the mating receptacle.

Recommended torque
 Mating **NA** N.cm
 Panel nut **NA** N.cm

Mating life **100** Cycles mini
 Weight **4.5290** g

ENVIRONMENTAL

Operating temperature **-55/+165** °C
 Hermetic seal **NA** Atm.cm3/s
 Panel leakage **NA**

SPECIFICATION

OTHER CHARACTERISTICS

Assembly instruction: **NA**

Others:
***Coaxial Transmission Line Only**
Radial working angle: 1° min.
Axial working range: 2 mm

Because of the BBR plating, the typical values of the outer contact resistance may slightly differ compared to the NPGR plated adapters.