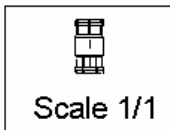
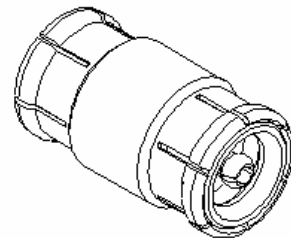
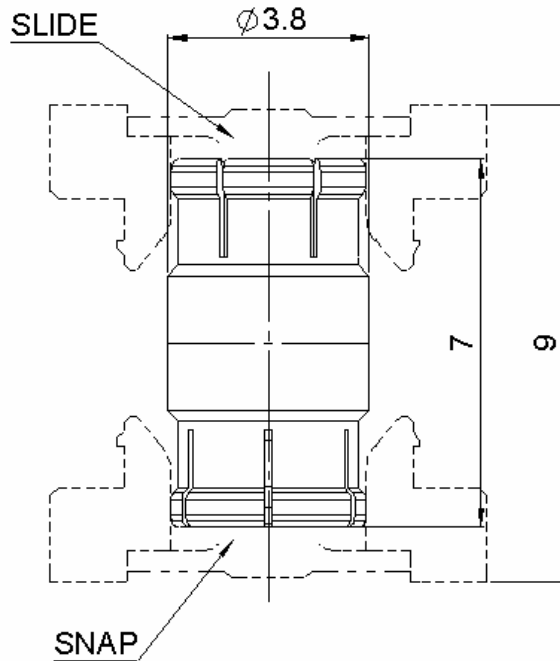


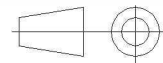
**MALE-MALE ADAPTER
BOARD TO BOARD 9 MM**

R223.703.080

Series : MMBX



All dimensions are in mm.



COMPONENTS	MATERIALS	PLATING (μm)
BODY	BERYLLIUM COPPER	NPGR
CENTER CONTACT	BERYLLIUM COPPER	NPGR
OUTER CONTACT		
INSULATOR	PTFE	
GASKET		
OTHERS PARTS		
-	-	-
-	-	-

Issue : 1134 B

In the effort to improve our products, we reserve the right to make changes judged to be necessary.



**MALE-MALE ADAPTER
BOARD TO BOARD 9 MM**

R223.703.080

Series : MMBX

PACKAGING

SPECIFICATION

Standard	Unit	Other
100	'W' option	Contact us

ELECTRICAL CHARACTERISTICS

ENVIRONMENTAL

Impedance	50	Ω
Frequency	0-12.4	GHz
VSWR	1.083* + 0,0000	x F(GHz) Maxi
Insertion loss	0.12	\sqrt{F} (GHz) dB Maxi
RF leakage	- (100**)	- F(GHz)) dB Maxi
Voltage rating	330	Veff Maxi
Dielectric withstanding voltage	1000	Veff mini
Insulation resistance	1000	M Ω mini

Operating temperature	-55/+155	$^{\circ}$ C
Hermetic seal	NA	Atm.cm3/s
Panel leakage	NA	

OTHER CHARACTERISTICS

Assembly instruction **NA**

Others :

* to 6GHz

** Interface MMBX only, up to 2.5 GHz

PCB to PCB -45dB up to 2.5GHz

MECHANICAL CHARACTERISTICS

Center contact retention		
Axial force – Mating end	10	N mini
Axial force – Opposite end	10	N mini
Torque	NA	N.cm mini
Recommended torque		
Mating	NA	N.cm
Panel nut	NA	N.cm
Mating life	100	Cycles mini
Weight	0,2430	g

Issue : 1134 B

In the effort to improve our products, we reserve the right to make changes judged to be necessary.

RADIALL 