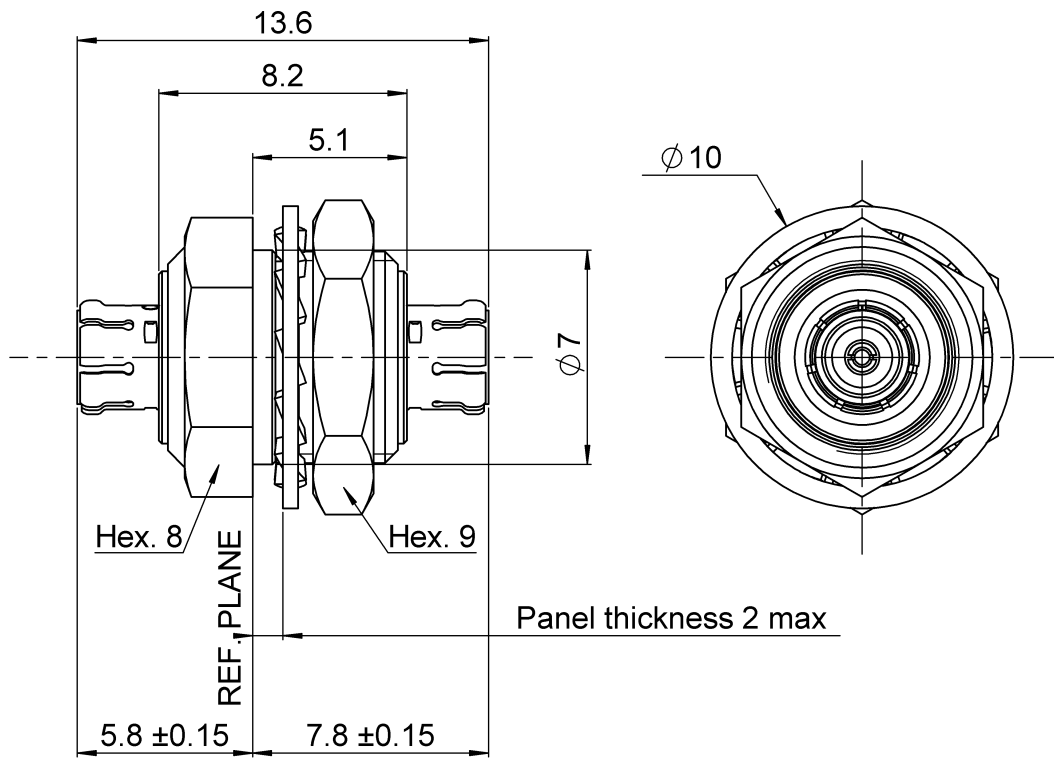
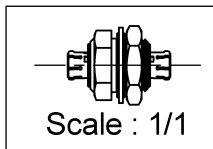
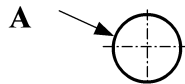


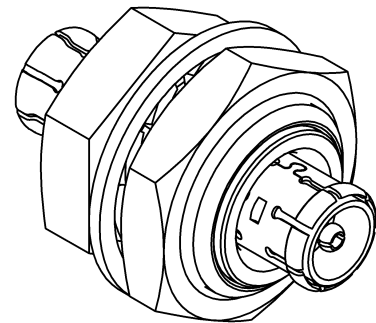
PAGE 1/2	ISSUE 25-01-16D	SERIES MMBX	PART NUMBER R223720020
----------	-----------------	-------------	------------------------



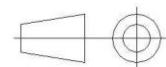
**PANEL CUT OUT**



	mm	
	Maxi	mini
A	7.27	7.13



All dimensions are in mm.



COMPONENTS	MATERIALS	PLATING (µm)
Body	<b>BRASS, BERYLLIUM COPPER</b>	<b>NPGR</b>
Center contact	<b>BERYLLIUM COPPER</b>	<b>GOLD OVER NICKEL</b>
Outer contact	-	-
Insulator	<b>PTFE+LCP</b>	-
Gasket	-	-
Others parts	<b>BRASS</b>	<b>NPGR</b>
-	-	-
-	-	-

PAGE 2/2	ISSUE <b>25-01-16D</b>	SERIES <b>MMBX</b>	PART NUMBER <b>R223720020</b>
----------	------------------------	--------------------	-------------------------------

**PACKAGING**

Standard	Unit	Other
<b>100</b>	<b>Contact us</b>	<b>Contact us</b>

**ELECTRICAL CHARACTERISTICS**

Impedance		<b>50</b>	Ω
Frequency		<b>0-12.4</b>	GHz
VSWR	<b>TBD</b>	<b>+</b>	<b>0.0000</b> x F(GHz) Maxi
Insertion loss		<b>NA</b>	√F(GHz) dB Maxi
RF leakage	- (	<b>NA</b>	- F(GHz)) dB Maxi
Voltage rating		<b>500</b>	Veff Maxi
Dielectric withstanding voltage		<b>1000</b>	Veff mini
Insulation resistance		<b>1000</b>	MΩ mini

**MECHANICAL CHARACTERISTICS**

Center contact retention			
Axial force – Mating End		<b>10</b>	N mini
Axial force – Opposite end		<b>10</b>	N mini
Torque		<b>NA</b>	N.cm mini
Recommended torque			
Mating		<b>NA</b>	N.cm
Panel nut		<b>60</b>	N.cm
Mating life		<b>100</b>	Cycles mini
Weight		<b>2.8000</b>	g

**ENVIRONMENTAL**

Operating temperature	<b>-55 +155</b>	°C
Hermetic seal	<b>NA</b>	Atm.cm3/s
Panel leakage	<b>NA</b>	

**SPECIFICATION**

**09D86565W Rev03 -**

**OTHER CHARACTERISTICS**

Assembly instruction:

Others:  
**to 6 GHz**