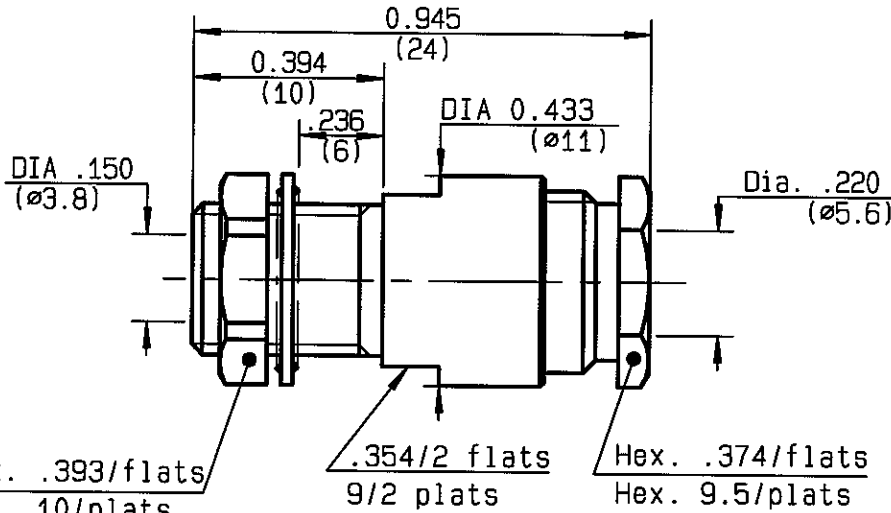


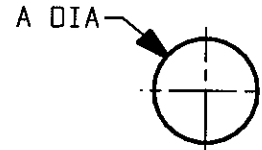
**BULKHEAD DIELECTRIC FEEDTHROUGHS
CABLE 5/50**

R280.257.000

SERIES ACC. COAX



PERCAGE PANNEAU
MOUNTING HOLE



	MM		INCH	
	maxi	mini	maxi	mini
A	8.1	8	0.319	0.315

NOMINAL IMPEDANCE	50 Ω
FREQUENCY RANGE	NA GHz
TEMPERATURE RATING	-65/+165 °C
V.S.W.R	NA + 0 x F(GHz)Maxi
RF INSERTION LOSS	NA √F(GHz) dB Maxi
VOLTAGE RATING	NA Veff Maxi
DIELECTRIC WITHSTANDING VOLTAGE	NA Veff Mini
INSULATION RESISTANCE	NA M ΩMini
HERMETIC SEAL	NA Atm.cm ³ /s
LEAKAGE (pressurized only)	NA
MECHANICAL DURABILITY	Cycles
WEIGHT	gr
SPECIFICATION	

CABLES :

OTHERS CHARACTERISTICS

CABLE RETENTION	340	N Mini
CENTER CONTACT RETENTION		
Axial force - mating end	NA	N Mini
Axial force - opposite end	NA	N Mini
Torque	NA	cm.N Mini
RECOMMENDED TORQUES		
Mating	NA	cm.N
Panel nut	170	cm.N
Clamp nut	150	cm.N

CONNECTOR PARTS	MATERIALS	FINISH	(all values are given) in micrometers
BODY	BRASS	NICKEL 2	
OUTER CONTACT			
CENTER CONTACT			
INSULATOR			
GASKET	SILICONE RUBBER		
OTHERS PIECES			

ISSUE 9734L	CREATION DATE 16-OCT-70	FILE PART-NUMBER
-----------------------	-----------------------------------	------------------



Connect to the future

The information given here is subject to change without notice.
Design changes may be in order to improve the product .

COLBEAU