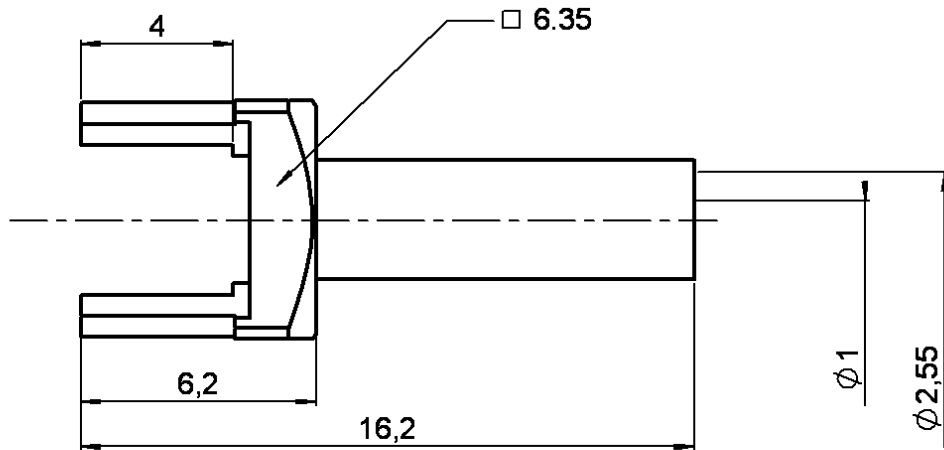


STRAIGHT CRIMP DIELECTRIC FEEDTROUGHES

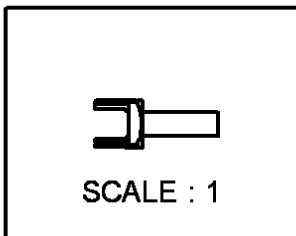
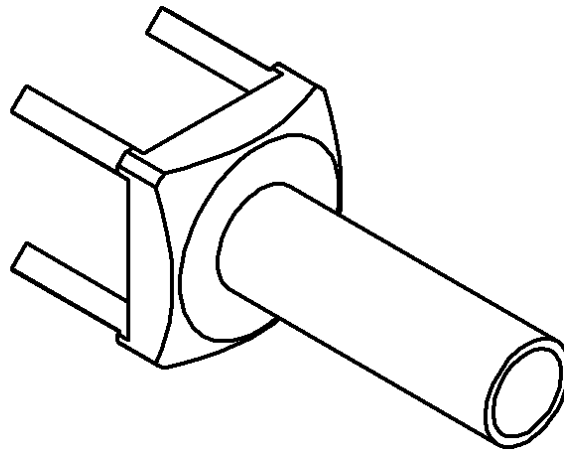
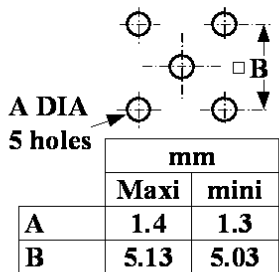
R280.282.000

P.C.B CABLE 2/50

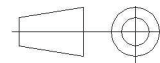
Series : ACC-COAX



PANEL CUT OUT



All dimensions are in mm.



COMPONENTS	MATERIALS	PLATING (μm)
BODY	BRASS	NICKEL 2
CENTER CONTACT	-	-
OUTER CONTACT	-	-
INSULATOR	-	-
GASKET	-	-
OTHERS PARTS	BRASS	NICKEL 2
-	-	-
-	-	-

Issue : 0116 E

In the effort to improve our products, we reserve the right to make changes judged to be necessary.



STRAIGHT CRIMP DIELECTRIC FEEDTROUGHES

R280.282.000

P.C.B CABLE 2/50

Series : ACC-COAX

PACKAGING

Standard	Unit	Other
100	'W' option	Contact us

SPECIFICATION

4T 201128/00 - -

ELECTRICAL CHARACTERISTICS

Impedance	50	Ω
Frequency	0 - 3	GHz
VSWR	+ 0.000	x F(GHz) Maxi
Insertion loss	.	\sqrt{F} (GHz) dB Maxi
RF leakage	- (- F(GHz)) dB Maxi
Voltage rating	750	Veff Maxi
Dielectric withstanding voltage	2000	Veff mini
Insulation resistance		M Ω mini

CABLE ASSEMBLY

Stripping	a	b	c	d	e	f
mm	4.00	7.00	12.0	0.00	0.00	0.00

Assembly instruction : **Crimp 11**

Recommended cable(s)
 KX 21
 RG 178 LC
 P513064
 RG 178 FTX

Characteristics indicated on this data sheet are those that can be achieved with the highest performance cable. Intrinsic limitations of the cable may diminish the performance of the assembly

Cable retention

- pull off N mini
 - torque N.cm

MECHANICAL CHARACTERISTICS

Center contact retention		
Axial force – Mating end		N mini
Axial force – Opposite end		N mini
Torque		N.cm mini

Recommended torque		
Mating		N.cm
Panel nut		N.cm
Clamp nut		N.cm
A/F clamp nut	0.000	mm

Mating life	0	Cycles mini
Weight	0.000	g

TOOLING

Part Number	Description	Hexagon
R282.211.000	CRIMPING TOOL	2.67

OTHER CHARACTERISTICS

-

ENVIRONMENTAL

Operating temperature	-55/+155	$^{\circ}$ C
Hermetic seal		Atm.cm3/s
Panel leakage		

Issue : 0116 E

In the effort to improve our products, we reserve the right to make changes judged to be necessary.

