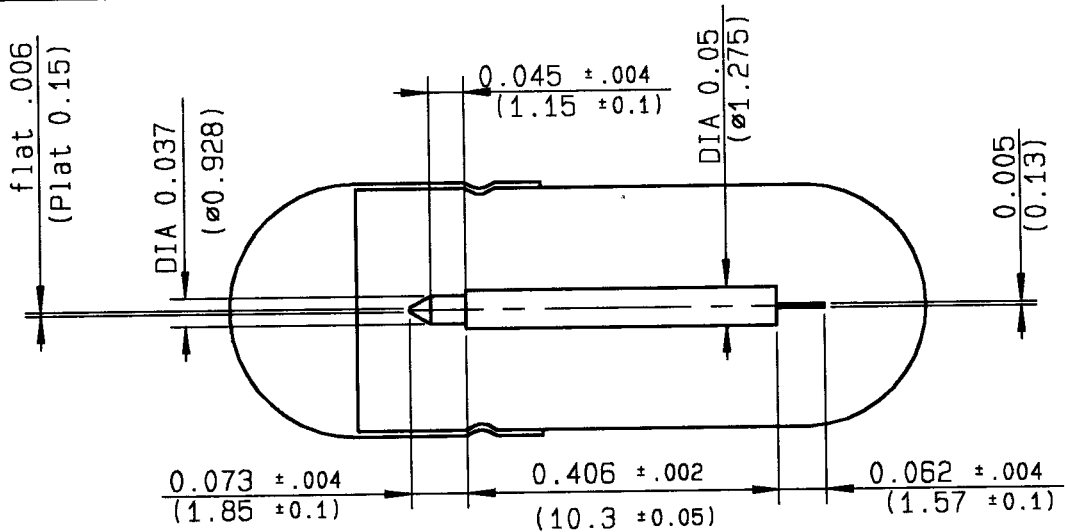




REMOVE CONTACT PANEL .401
PACKAGING PER 10

Series : ACC COAX

1 / 1



CABLES : NA

CHARACTERISTICS

NOMINAL IMPEDANCE	NA	Ω
FREQUENCY RANGE	NA	GHz
TEMPERATURE RATING	-65/+165	°C
VSWR	- +	- x F(GHz)Maxi
RF INSERTION LOSS	-	√F(GHz) dB Maxi
VOLTAGE RATING	NA	Vrms Max
DIELECTRIC WITHSTANDING VOLTAGE	NA	Vrms min
INSULATION RESISTANCE	NA	MΩ min
HERMETIC SEAL	-	cc/s Atm.cm3/s
LEAKAGE (pressurized only)	-	psi MPa
WEIGHT	0	Oz g

STANDARDISATION

CABLE RETENTION	0	1b min N
CENTER CONTACT RETENTION		
Axial force - mating end	0	1b min N
Axial force - opposite end	0	1b min N
Torque (Min)	0	Inch.oz cm.N
RECOMMENDED TORQUES		
Mating	0	Inch.lb cm.N
Panel nut	0	Inch.lb cm.N
Clamp nut	0	Inch.lb cm.N

CONSTRUCTION

CONNECTOR PARTS	MATERIALS	FINISH
BODY	-	-
OUTER CONTACT	-	-
CENTER CONTACT	BERYLLIUM COPPER	50μI GOLD OVER 80μI NICKEL
INSULATOR	-	-
-	-	-
-	-	-
-	-	-
-	-	-

ISSUE	REVISION No	DESCRIPTION	BY	DATE
-	-	-	-	-
-	-	-	-	-
-	-	-	-	-
-	-	-	-	-

Initiated on 14/03/95
Approval by BONOMINI

The information given here is subject to change without notice. Design changes may be in order to improve the product.

