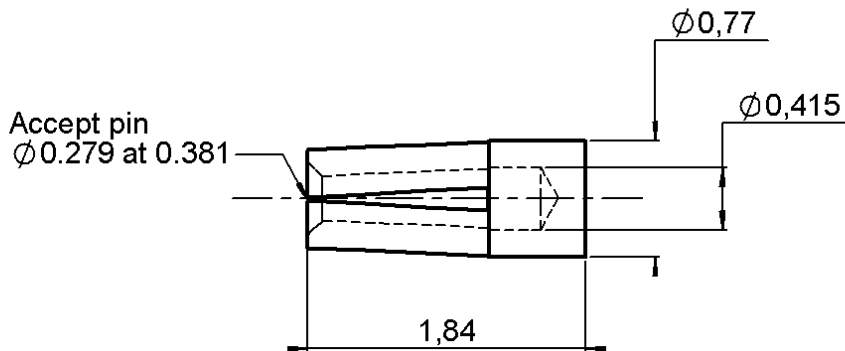


REMOVABLE CONTACT FOR GLASS SEAL

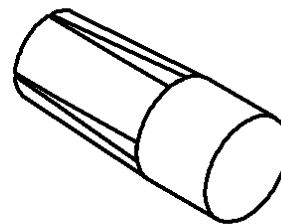
**R280.470.000**

PACK 10

Series : ACC-COAX



— ■ —  
Scale : 1/1



All dimensions are in mm.



COMPONENTS	MATERIALS	PLATINGS (µm)
BODY	-	-
CENTER CONTACT	BERYLLIUM COPPER	GOLD 2 OVER NICKEL 2
OUTER CONTACT	-	-
INSULATOR	-	-
GASKET	-	-
OTHERS PARTS	-	-

Operating temperature : -65/+165° °C

Weight : 0.040 g

Others characteristics : -

Issue : 0335 C

In the effort to improve our products, we reserve the right to make changes judged to be necessary.

