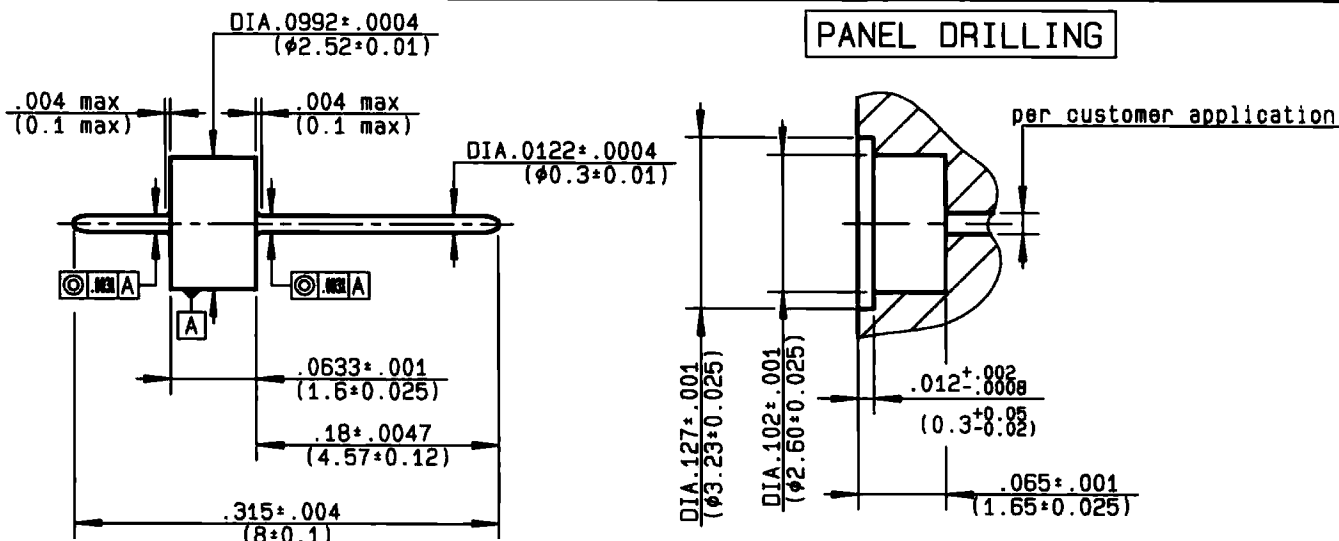


SOLDERING HERMETIC SEAL



CABLES : -

CHARACTERISTICS

NOMINAL IMPEDANCE	50 Ω	STANDARDISATION	-
FREQUENCY RANGE	0-26.5 GHz		-
TEMPERATURE RATING	-65/+200 °C		-
VSWR	NA + - x F(GHz)Max1		-
RF INSERTION LOSS	NA √F(GHz) dB Max1	CABLE RETENTION	0 lb min NA N
VOLTAGE RATING	335 Vrms Max	CENTER CONTACT RETENTION	
DIELECTRIC WITHSTANDING VOLTAGE	1000 Vrms min	Axial force - mating end	4.49 lb min 20 N
INSULATION RESISTANCE	5000 MΩ min	Axial force - opposite end	4.49 lb min 20 N
HERMETIC SEAL	1.10-8 oo/s 10-8 Atm.cm3/s	Torque (Min)	0 Inch.oz NA cm.N
LEAKAGE (pressurized only)	NA psi MPa	RECOMMENDED TORQUES	
WEIGHT	0 Oz g	Mating	0 Inch.lb NA cm.N
		Panel nut	0 Inch.lb NA cm.N
		Clamp nut	0 Inch.lb NA cm.N

CONSTRUCTION

CONNECTOR PARTS	MATERIALS	FINISH
BODY	-	-
OUTER CONTACT	FERRO NICKEL	GOLD OVER NICKEL
CENTER CONTACT	FERRO NICKEL	GOLD OVER NICKEL
INSULATOR	MATCHED GLASS	-
-	-	-
-	-	-
-	-	-
-	-	-
-	-	-

ISSUE	REVISION No	DESCRIPTION	BY	DATE
9721	97-05-013	Updated seal dimension	TRIPIER	20/05/97
A1		Drawn on new border .0992 -> .0996	LELEU	30/09/93

Initiated on 12/10/89  
 Superseded on 30/09/93

The information given here is subject to change without notice. Design changes may be in order to improve the product.

