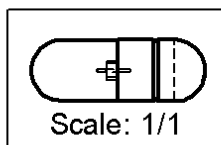
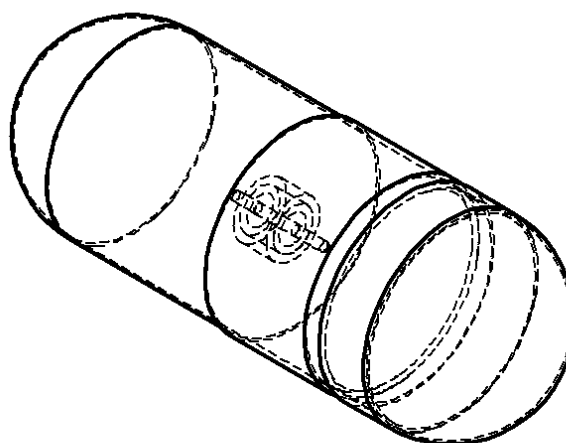
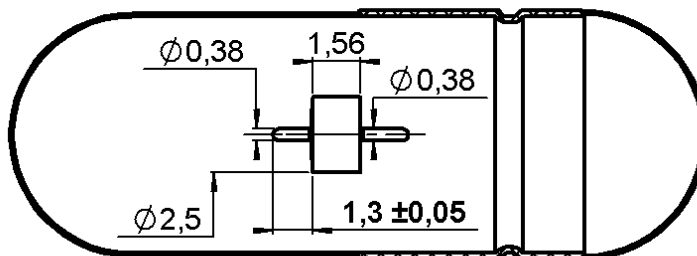


GLASS BEAD

PACK 100

R280.752.020

Series : ACC-COAX



All dimensions are in mm.



COMPONENTS	MATERIALS	PLATINGS (µm)
BODY	FERRO-NICKEL	GOLD 1.27 OVER NICKEL 1.27
CENTER CONTACT	FERRO-NICKEL	GOLD 2.54 OVER NICKEL 1.27
OUTER CONTACT		
INSULATOR	GLASS	
GASKET		
OTHERS PARTS		

Operating temperature : -65/+200 °C

Weight : 0.700 g

Others characteristics :

Issue : 0449 A

In the effort to improve our products, we reserve the right to make changes judged to be necessary.



GLASS BEAD

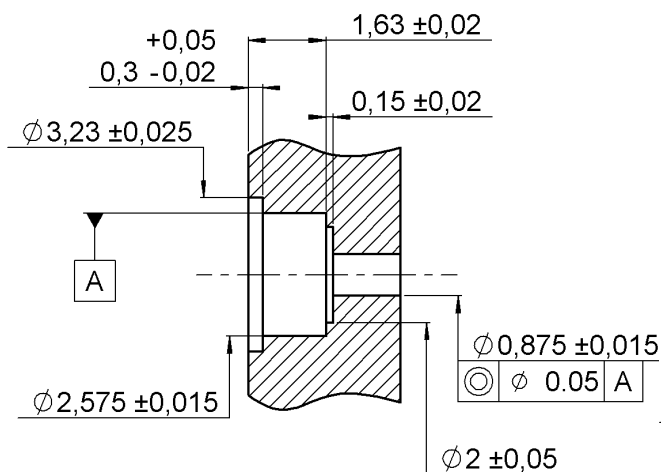
PACK 100

R280.752.020

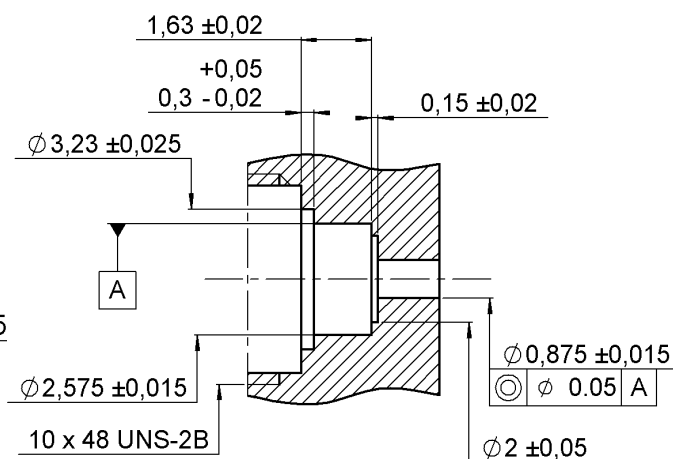
Series : ACC-COAX

MOUNTING INSTRUCTIONS

FLANGE RECEPTACLE

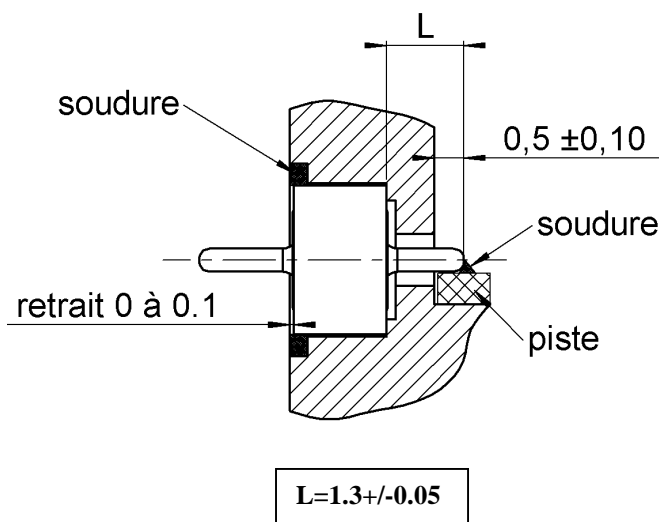


RECEPTACLE SCREW



ASSEMBLY INSTRUCTIONS

Introduce the glass bead into its housing.
 Weld the ring by putting a welding ring in the groove.
 Weld the glass bead pin on the track.
 (Beware there is not too much welding).
(For maximum RF characteristics the link track/pin must be as thin as possible. We advise therefore to follow the A dimension rigorously, by welding accurately the glass bead pin on the track).



Issue : 0449 A

In the effort to improve our products, we reserve the right to make changes judged to be necessary.

