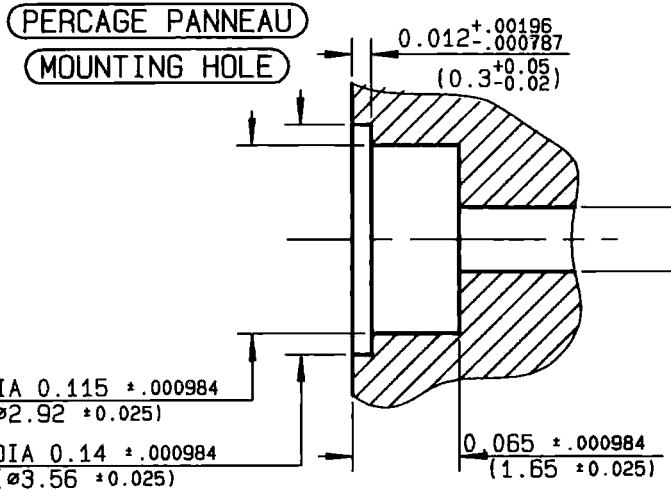
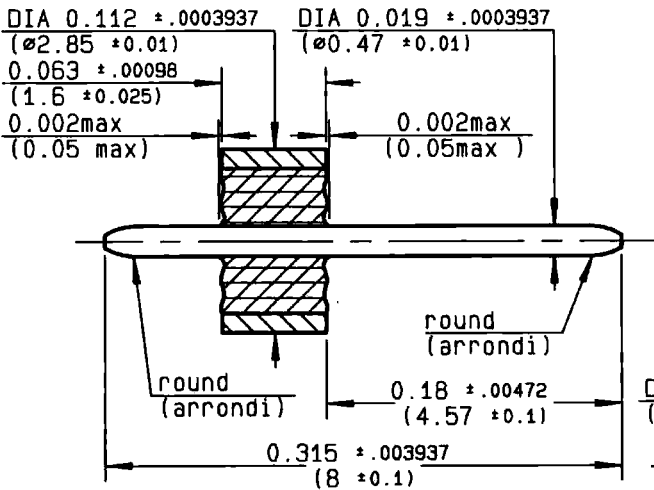


GLASS BEAD

R280.755.000
SERIES ACC-COAX



According to customer application
 (Selon application client)

NOMINAL IMPEDANCE	50 Ω
FREQUENCY RANGE	0-26.5 GHz
TEMPERATURE RATING	-65/+200 °C
V.S.W.R	+ x F(GHz)Maxi
RF INSERTION LOSS	√F(GHz) dB Maxi
VOLTAGE RATING	335 Veff Maxi
DIELECTRIC WITHSTANDING VOLTAGE	1000 Veff Mini
INSULATION RESISTANCE	NA M ΩMini
HERMETIC SEAL	1*10⁻⁸ Atm.cm ³ /s
LEAKAGE (pressurized only)	
MECHANICAL DURABILITY	Cycles
WEIGHT	gr
SPECIFICATION	

CABLES :	
OTHERS CHARACTERISTICS	
CABLE RETENTION	NA N Mini
CENTER CONTACT RETENTION	
Axial force - mating end	30 N Mini
Axial force - opposite end	30 N Mini
Torque	cm.N Mini
RECOMMENDED TORQUES	
Mating	cm.N
Panel nut	NA cm.N
Clamp nut	NA cm.N

CONNECTOR PARTS	MATERIALS	FINISH	(all values are given in micrometers)
BODY	DILVER P	GOLD 1.3 OVER NICKEL 2	
OUTER CONTACT			
CENTER CONTACT		GOLD 1.3 OVER NICKEL 2	
INSULATOR	GLASS	-	
GASKET		-	
OTHERS PIECES			

ISSUE: **9910C00**
 CREATION DATE: **29/08/1989**
 FILE PART-NUMBER:



RADIALL®