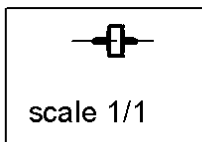
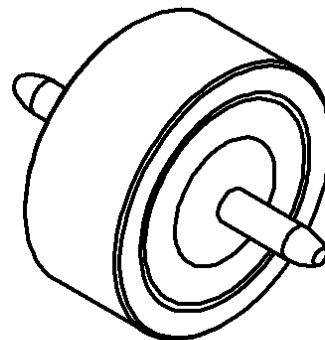
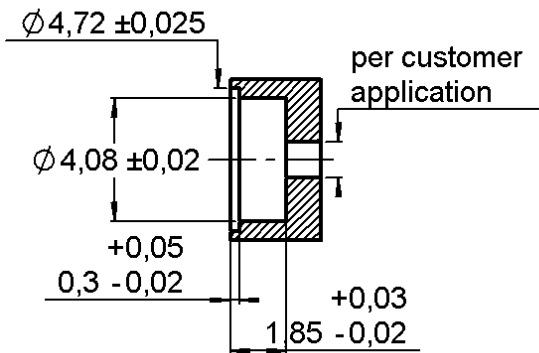
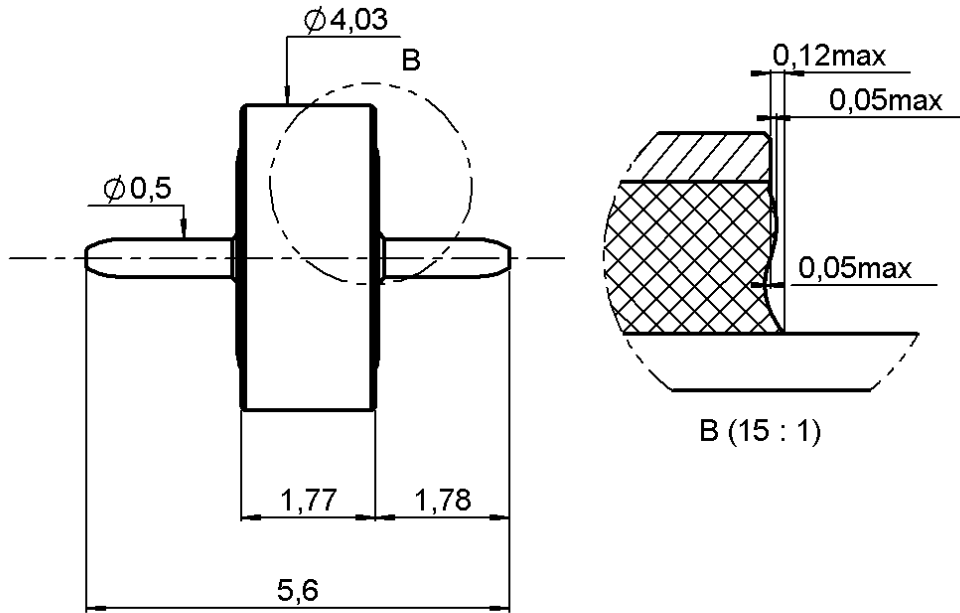


GLASS BEAD

**R280.757.060**

Series : ACC-COAX



All dimensions are in mm.



COMPONENTS	MATERIALS	PLATINGS (µm)
BODY	-	-
CENTER CONTACT	FERRO-NICKEL	GOLD .
OUTER CONTACT	FERRO-NICKEL	GOLD .
INSULATOR	MATCHED GLASS	
GASKET	-	-
OTHERS PARTS	-	-

Operating temperature : -65°+200° °C

Weight : 0.113 g Nominal imp : 50Ω Freq range : 0-26.5 Ghz Proof voltage : 1000V eff

Others characteristics : - Leak rate <math>1.10^{-8}</math> atm \*cm<sup>3</sup>/s

Issue : 0214 A

In the effort to improve our products, we reserve the right to make changes judged to be necessary.

