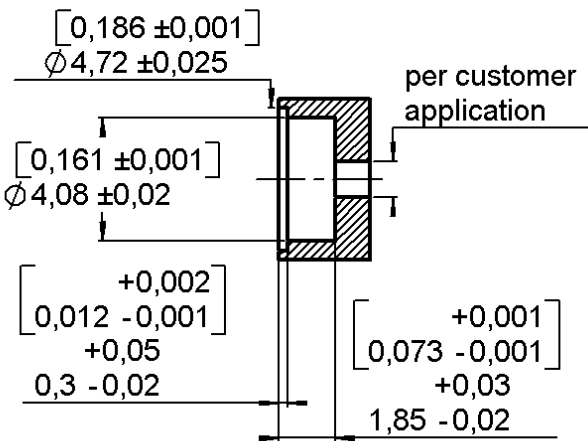
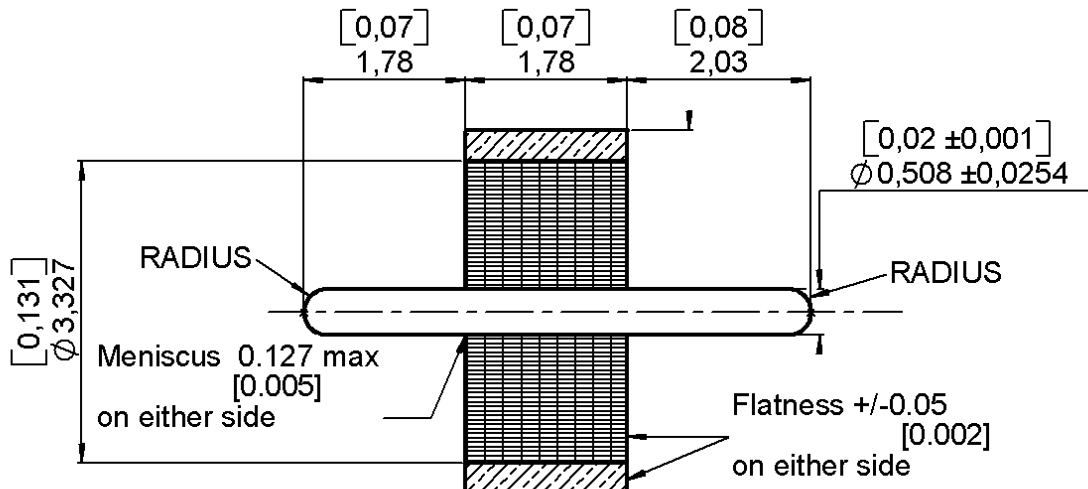


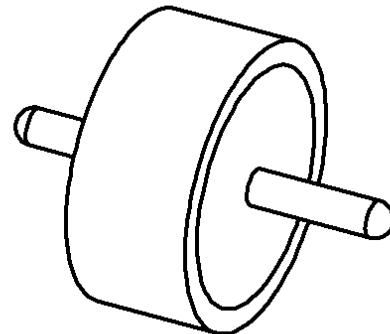
**GLASS BEAD
PACKAGING 100**

R280.757.070

Series : ACC-COAX




SCALE: 1/1



All dimensions are in mm.



COMPONENTS	MATERIALS	PLATING (μm)
BODY	FERRO-NICKEL	.GOLD.
CENTER CONTACT	FERRO-NICKEL	.GOLD.
OUTER CONTACT	-	-
INSULATOR	MATCHED GLASS	-
GASKET	-	-
OTHERS PARTS	-	-

Operating temperature : -65/+200 °C

Weight : 0,2100 g

Others characteristics : Impedance: 50 Ohm

Leak rate $< 1.10^{-8} \text{ atm} \cdot \text{cm}^3/\text{s}$

Issue : 0746 A

In the effort to improve our products, we reserve the right to make changes judged to be necessary.

