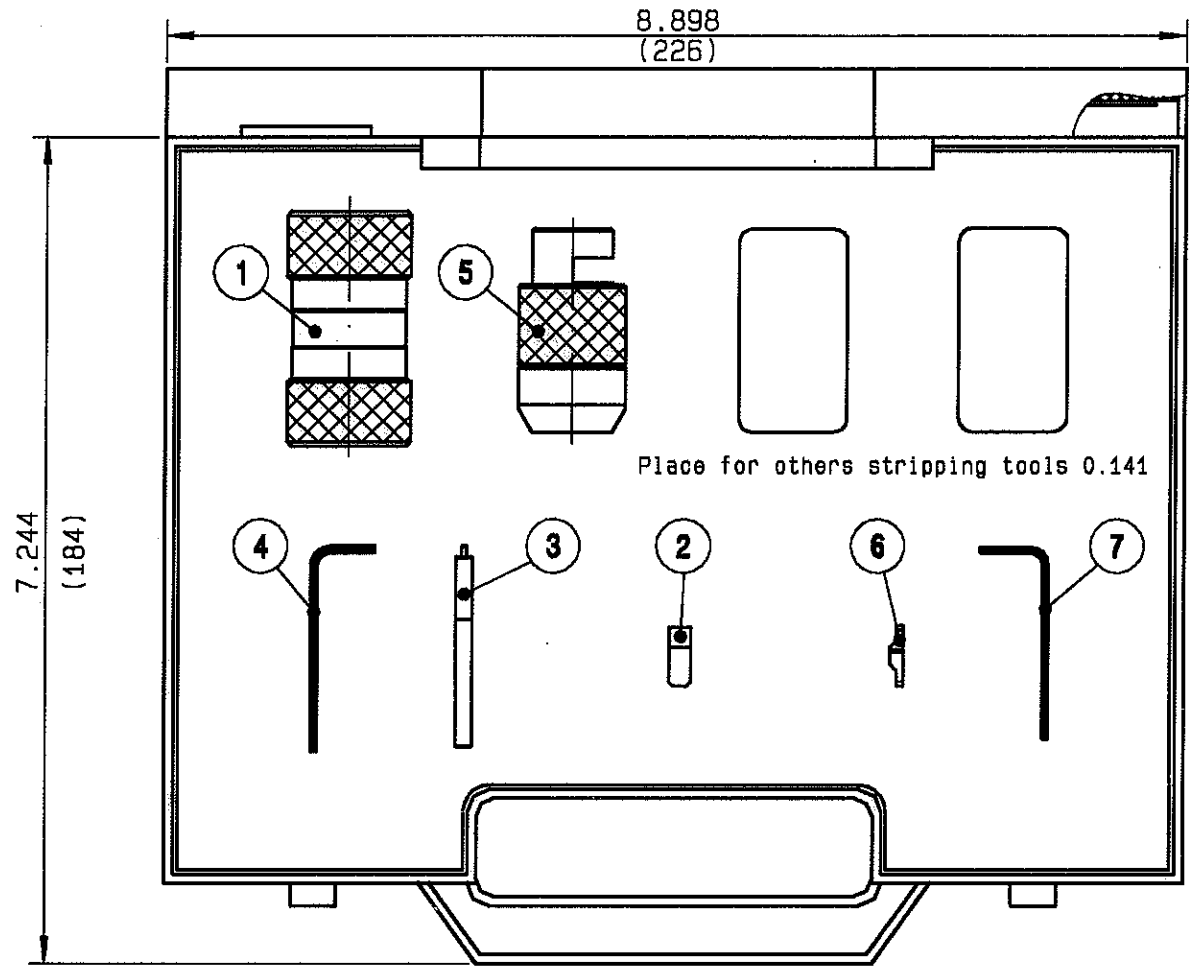


TOOLBOX
STRIPPING TOOL + CONING TOOL 0.141 - 0.177

REFONTE N



All dimensions are inches
Except (mm)

NOMENCLATURE

- 1 - R 282 053 Stripping tool 0.141
- 2 - R 282 055 Replacement stripping blade
- 3 - R 282 864 120 Blade installation gauge 0.141
- 4 - R 282 344 150 0.059 inch (across flats) male hex key
- 5 - R 282 066 010 Coning and length-setting tool 0.177 long on 0.141
- 6 - R 282 056 118 Replacement coning blade
- 7 - R 282 344 127 0.05 inch (across flats) male hex key

| ISSUE | REVISION No | DESCRIPTION | BY | DATE |
|-------|-------------|-------------|----|------|
| . | . | . | . | . |
| . | . | . | . | . |
| . | . | . | . | . |
| . | . | . | . | . |

Initiated on 08/06/94
Approval by BONMINI

The information given here is subject to change without notice. Design changes may be in order to improve the product.

