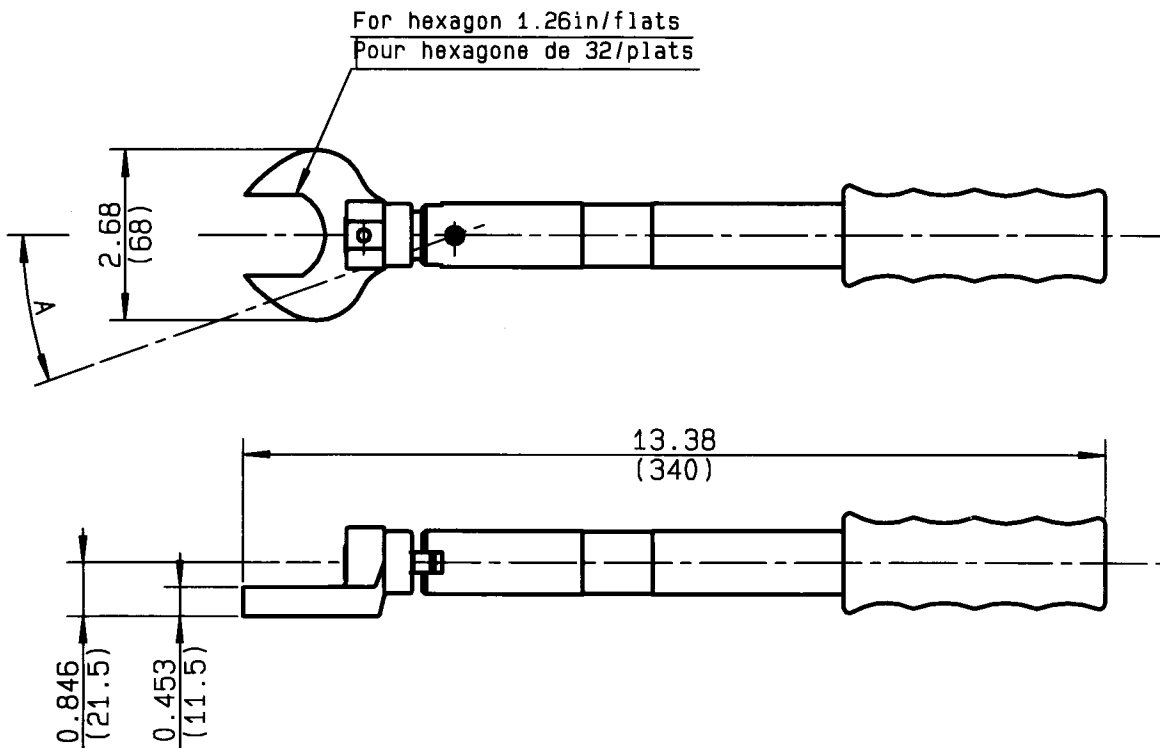




TORQUE SPANNER 1.26in
309.374in.Ib



- Coupling torque 309.374in.-Ib
- A Angular sweep approxiately 20°

ISSUE	REVISION No	DESCRIPTION	BY	DATE
0132	01-07-016	Added angular sweep A'	TRIPPIER	06-08-01
Initiated on 05/05/95		The information given here is subject to change without notice. Design changes may be in order to improve the product.		
Approval by GAUTIER				