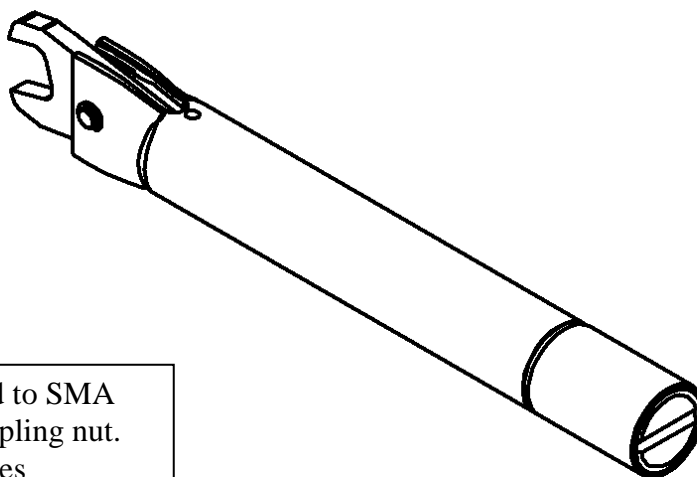
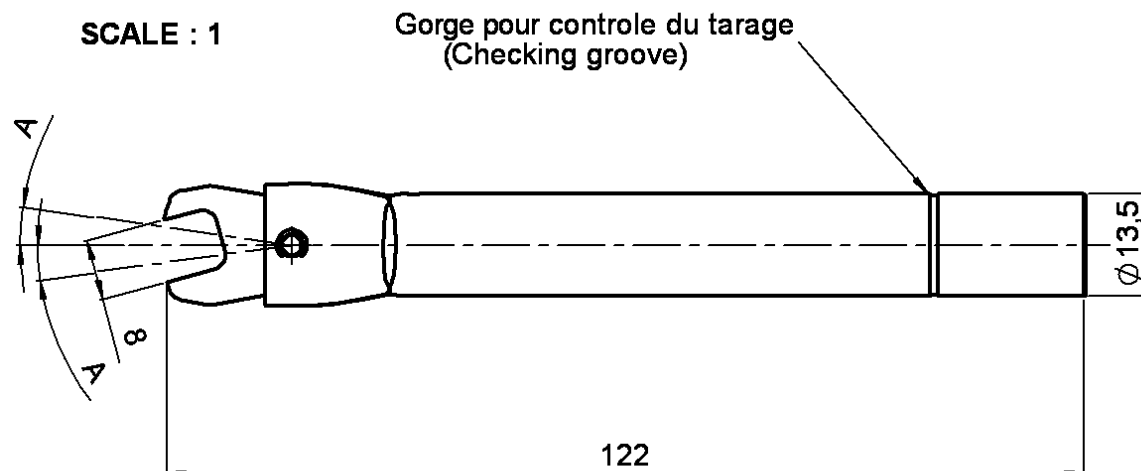


TORQUE WRENCH**R282.320.030****8 MM - 60 N.cm**Series : **OUT**

This wrench is designed to SMA
(Brass) connector's coupling nut.
Durability : 10 000cycles

OPERATION

The torque wrench is designed to automatically make a « click sound ».

The wrench will work the same in both directions.

Be careful : **DO NOT APPLY PRESSURE** to the wrench **AFTER** hearing the click sound, it will possibly damage the connector.

ENSURE PROPER TORQUE

Apply verification force at the groove level on the handle.

- Coupling torque 55N.cm at 65N.cm
- A A' angular sweep approximately 8°

Issue : 0825 B

In the effort to improve our products, we reserve the right to make changes judged to be necessary.

**RADIALL**®