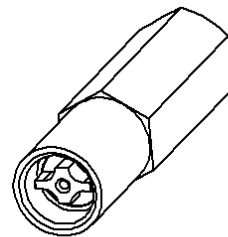
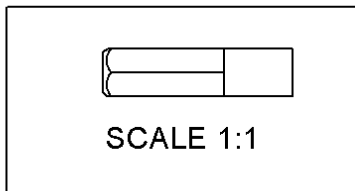
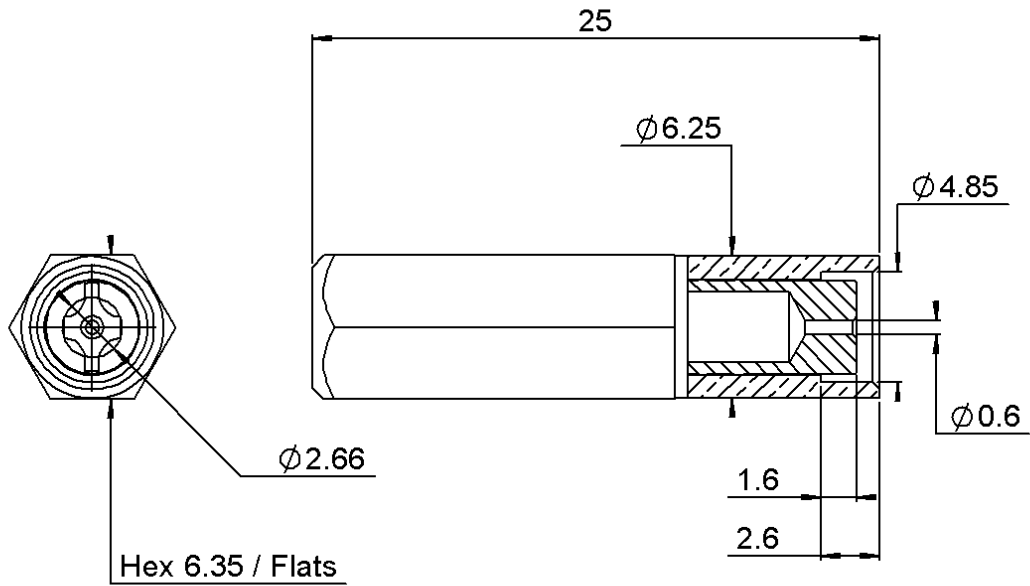
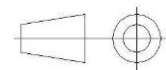


PAGE 1/1	ISSUE <b>09-09-15A</b>	SERIES <b>OUT</b>	PART NUMBER <b>R282360004</b>
----------	------------------------	-------------------	-------------------------------



All dimensions are in mm.



Function:	To Screw SMP L LD.
Principal materials:	Stainless Steel
Weight:	4.86 g
Packaging:	Unitary in plastic bag in cardboard box.