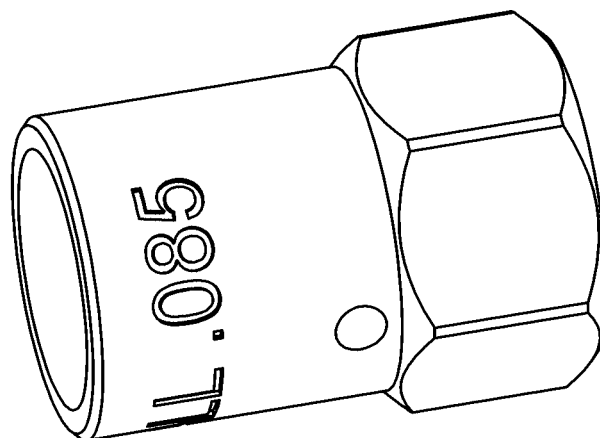
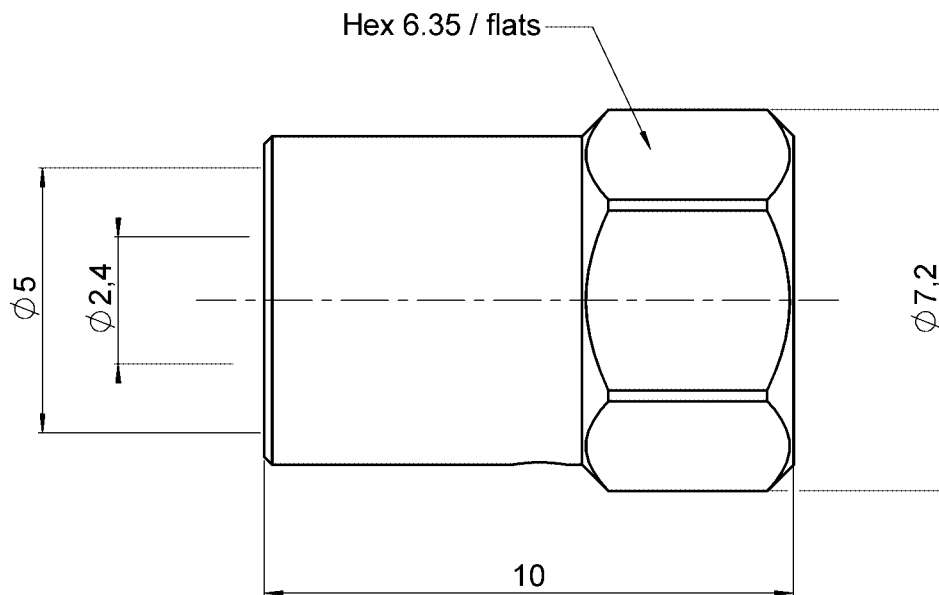


**SOLDERING POSITIONER
FOR SMA 2.9 - CABLE .085+MP**

R282.744.190

Series : **OUT**



Issue : 0740 A

In the effort to improve our products, we reserve the right to make changes judged to be necessary.

