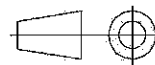
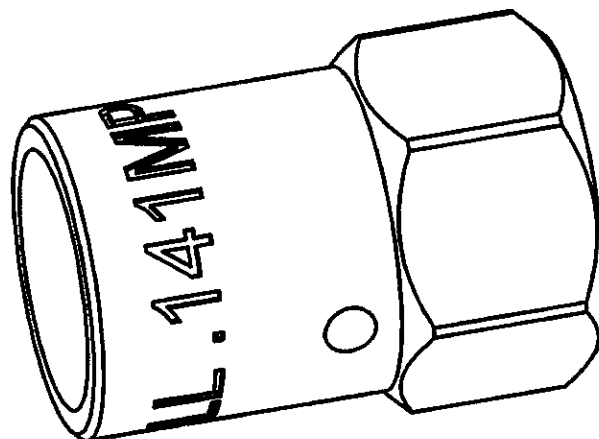
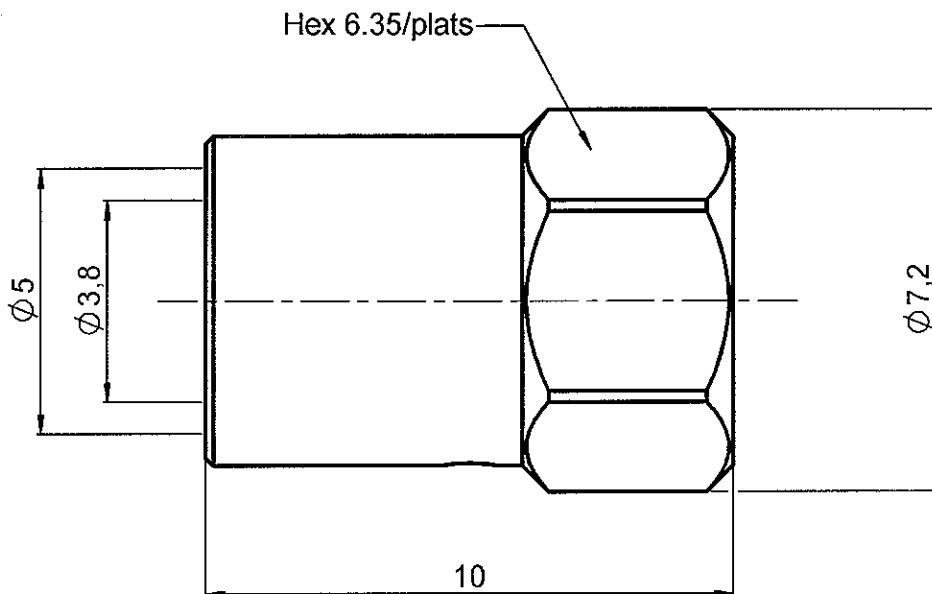


**SOLDERING POSITIONER
FOR SMA 2.9 - CABLE .141 MP**

R282.744.192

Series : OUT



Issue : 0520 A

In the effort to improve our products, we reserve the right to make changes judged to be necessary.

